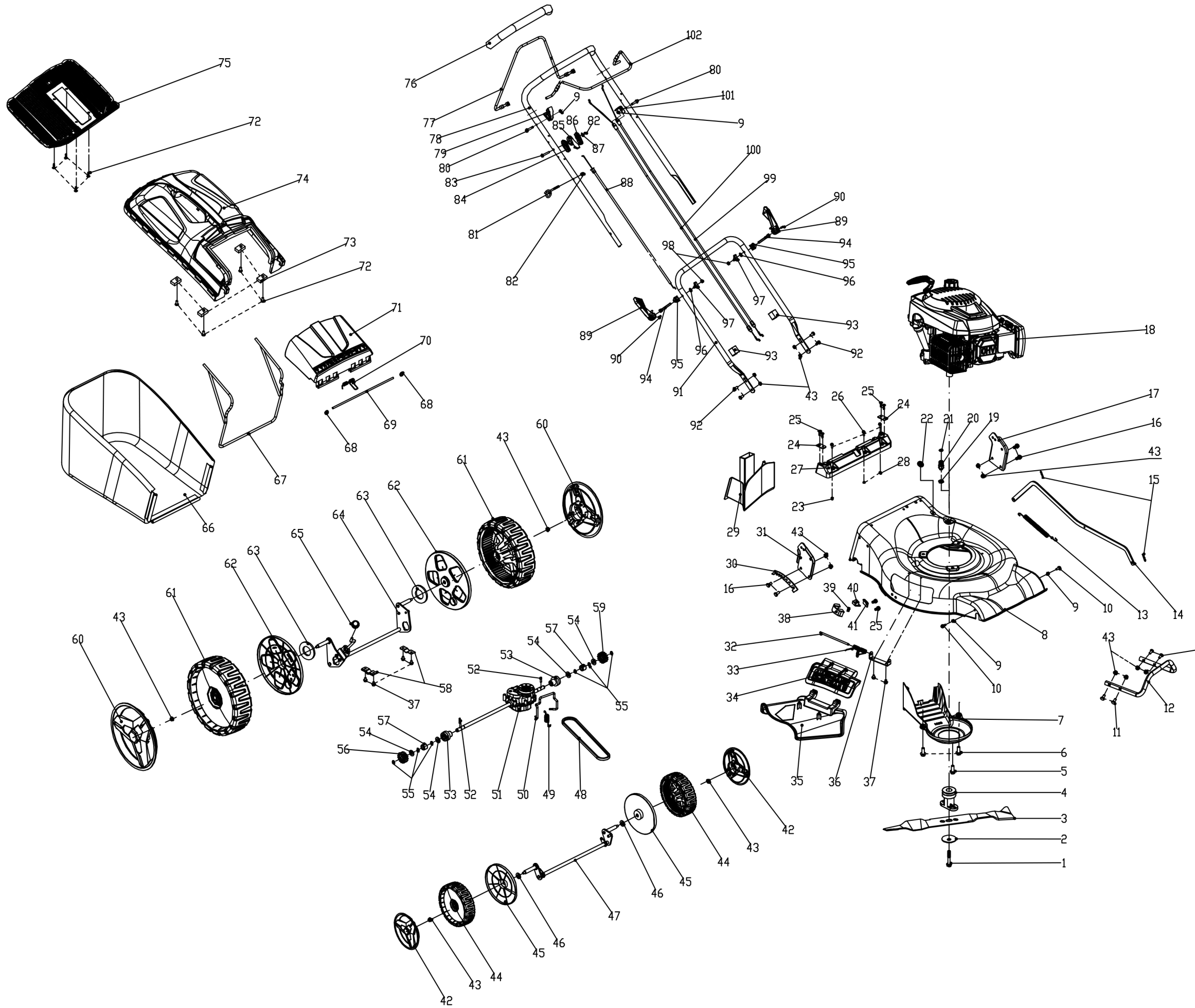
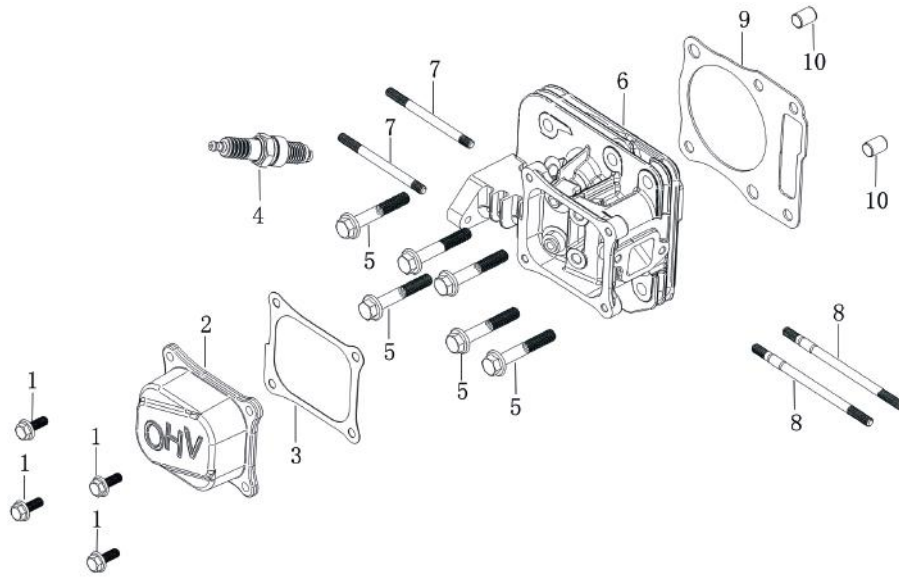
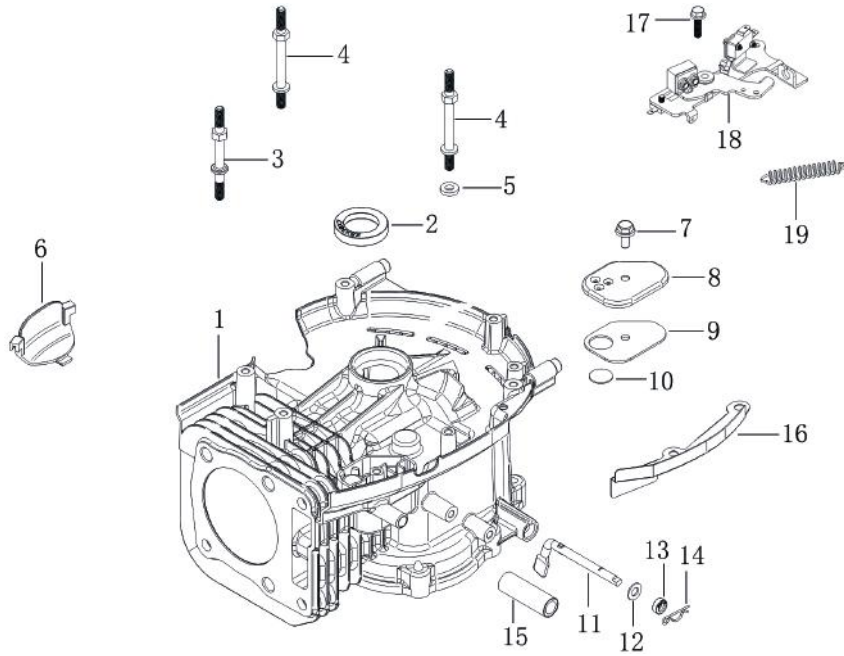
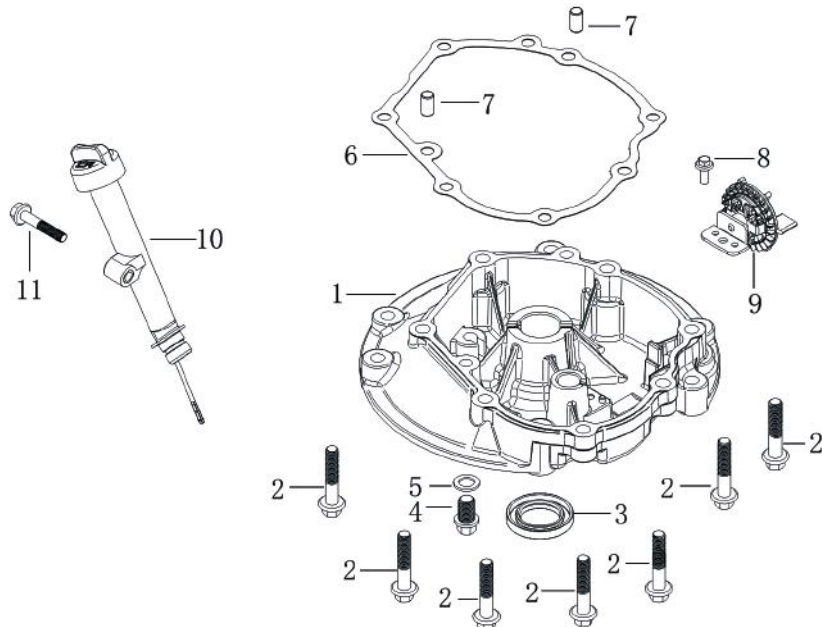
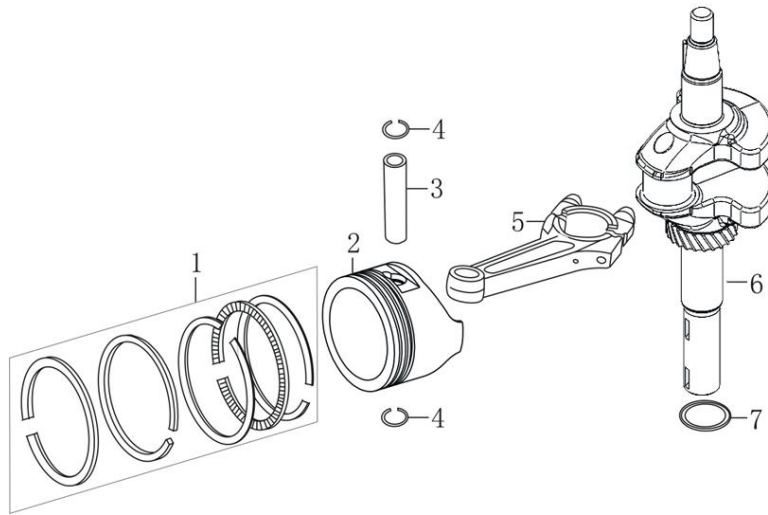


A

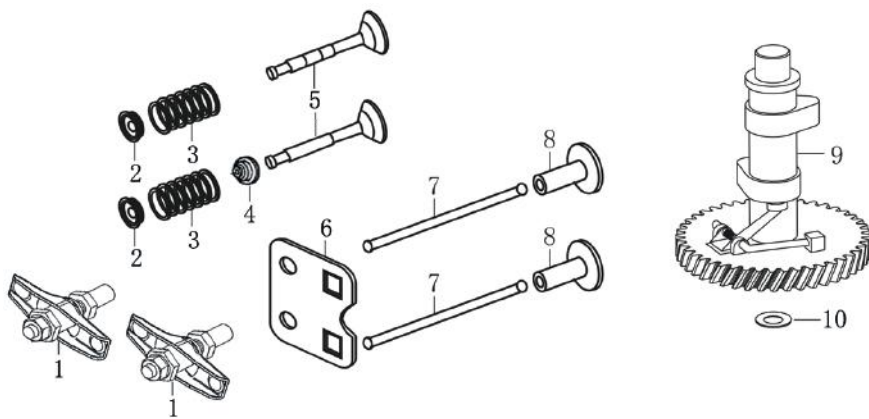


**B****C****D**

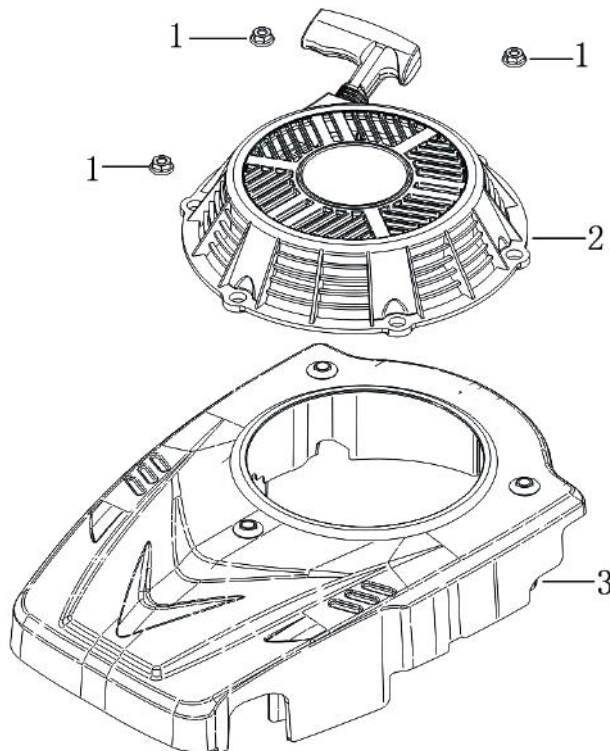
# E



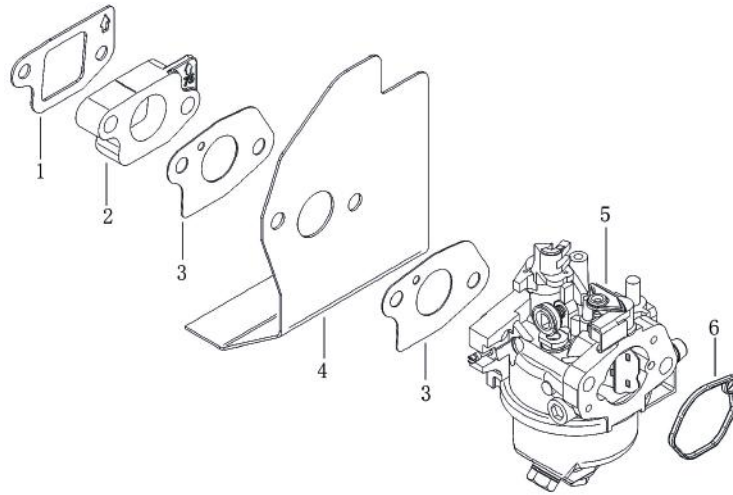
# F



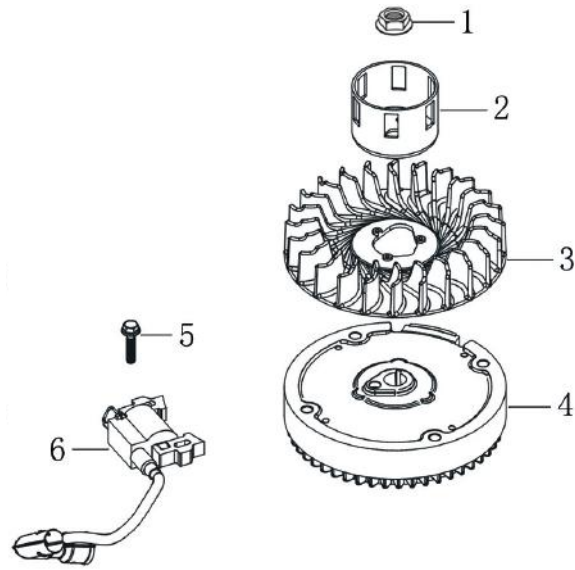
# G



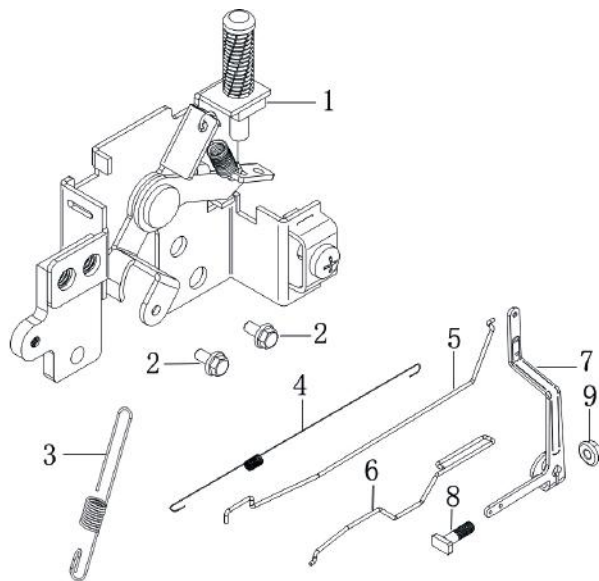
# H



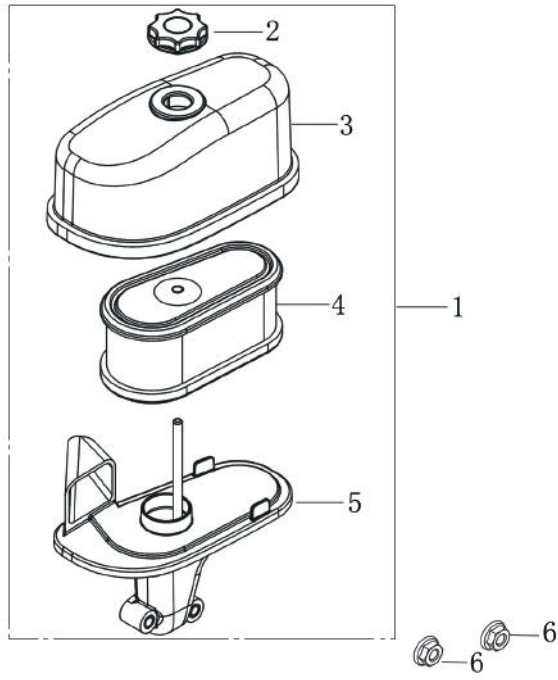
# I



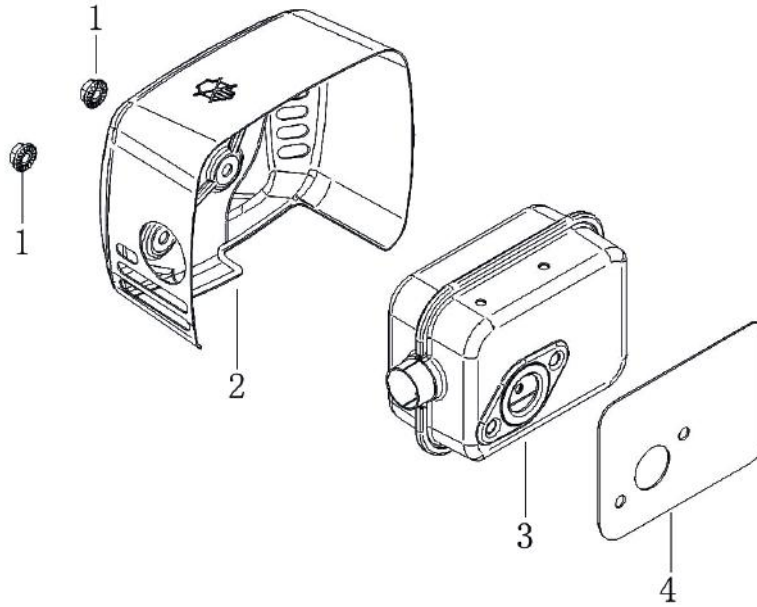
# J



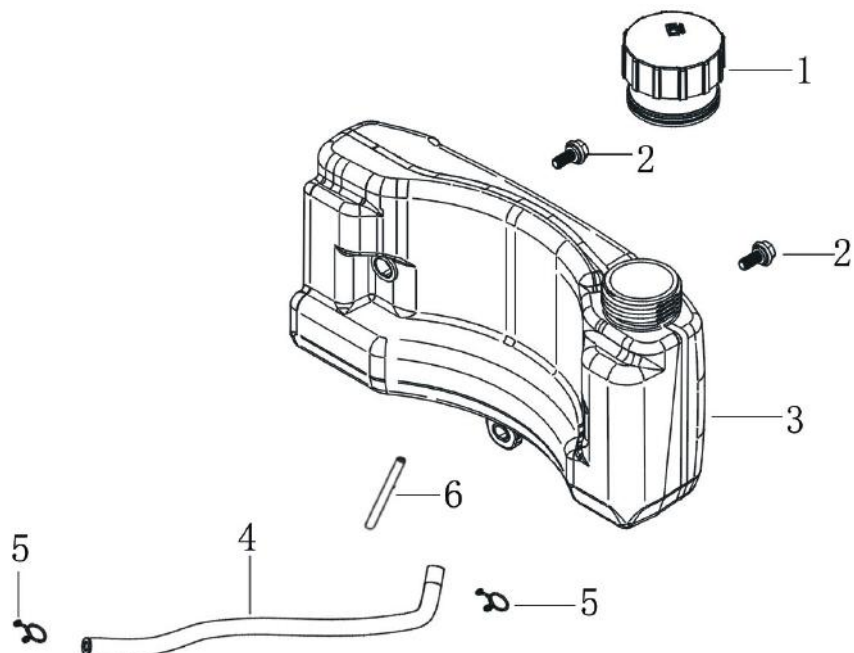
# K



# L



# M



## Ersatzteile / Spare parts

# MS225-53B

Rasenmäher  
Lawn Mower

5911239903  
0162

update: 18.06.2019

| Skizze            | Art.Nr.    | Benennung                                    | description                        |
|-------------------|------------|--|------------------------------------|
| A 1               | 5911240001 | Schraube zur Messerbefestigung               | Bolt for Blade Attachment          |
| A 2               | 3911202002 | Tellerfeder zur Messerbesfestigung           | Cup Spring for Blade Attachment    |
| A 3               | 5911240002 | Dichtung zur Messerbefestigung               | Gasket for Blade Attachment        |
| A 4               | 7911200618 | Messer                                       | Blade                              |
| A 5               | 5911240003 | Messeraufnahme                               | Blade Holder                       |
| A 6               | 5911241001 | Buchse zur Messeraufnahme                    | Cushion for Blade Holder           |
| A 9               | 5911241045 | Riemenabdeckung                              | Belt Cover                         |
| A 11              | 5911241002 | Riemenscheibe für variable Geschwindigkeiten | Variable Speed Driving Belt Pulley |
| A 12+30+54+55+101 | 5911241003 | Fangkorb kpl.                                | Grass Box cpl.                     |
| A 12              | 5911240016 | Fangkorbaddeckung                            | Lower Cover Assembly               |
| A 13              | 5911241004 | Keilriemen                                   | V-Belt GB11544                     |
| A 18              | 5911239001 | Frontabdeckung                               | Front Hood                         |
| A 21+38+42+99+100 | 5911240010 | Verstellschrauben für Handgriff              | Screw for Handle Adjustment        |
| A 22              | 5911241006 | Motor kpl.                                   | Engine DV225                       |
| A 26              | 5911241007 | Auswurfklappenbefestigung                    | Chassis Block                      |
| A 28              | 5911240008 | Auswurfklappe Hinten                         | Ejection Flap Back                 |
| A 32              | 5911241008 | Mulcheinsatz                                 | Mulching Plug                      |
| A 35              | 5911241047 | Griffhalter links                            | Left Arm Rest                      |
| A 36+63+64+96+97  | 5911241009 | Handgriff zur Schnitthöheneinstellung        | Handle for Height Adjustment       |
| A 41              | 5911241010 | Anschrubbügel                                | Push Rod                           |
| A 42+44+59        | 5911241011 | Sterngriffmutter mit Schraube                | Pentagon Nut with Screw            |
| A 43+46           | 5911241012 | Handgriffbügel                               | Push Rod cpl.                      |
| A 47              | 5911241013 | Gasbügel                                     | Drive Rod                          |
| 48+49+51          | 3911201007 | Seilhaken                                    | Rope Clip cpl.                     |
| A 52              | 5911240014 | Gaszug                                       | Drive Cable                        |
| A 53              | 5911241048 | Bowdenzug Antrieb                            | stall Cable                        |
| A 54              | 5911241014 | Fangkorbnetz                                 | Grass Basket                       |
| A 55              | 5911241015 | Fangkorbbügel                                | Grass Box Bracket                  |
| A 56              | 5911240018 | Gasgriff                                     | Drive Rod                          |
| A 57              | 5911241046 | Griffhalter rechts                           | Right Arm Rest                     |
| A 65              | 5911241016 | Auswurfklappe Seitlich                       | Ejection Flap Side                 |
| A 66              | 5911241017 | Auswurfklappe Abnehmbar                      | Ejection Flap Pluggable            |
| A 71              | 5911241018 | Vordere Radkappe                             | Wheel Cover                        |
| A 73              | 5911240022 | Vorderes Rad                                 | Push wheel                         |
| A 75              | 5911238027 | Bundschraube                                 | Fixing Bolt                        |
| A 77              | 5911240011 | Schlauchanschluss                            | Hose Connection                    |
| A 82              | 5911241019 | Hintere Radkappe                             | Wheel Cover                        |
| A 83              | 5911241020 | Hinteres Rad                                 | Back Wheel                         |
| A 85              | 5911241021 | Rechtes Antriebszahnrad                      | Right output Gear                  |
| A 86              | 5911241022 | Radabdeckung                                 | Dustproff Wheel Cover              |
| A 92              | 5911241023 | Linkes Antriebszahnrad                       | Left Output Gear                   |
| A 95              | 5911241024 | Getriebe                                     | Gearbox                            |
| A 98              | 5911239002 | Vorderer Handgriff                           | Front Handle                       |
| B 9               | 5911241026 | Kolben                                       | Piston                             |
| B 10              | 5911241027 | Kolbenringe Set                              | Scrapet Ring Set, Piston           |
| B 11              | 5911241028 | Pleuel                                       | Connecting Rod Assembly            |
| B 27              | 5911241029 | Vergaser                                     | Carburetor Assembly                |
| B 28              | 5911241030 | Benzinschlauch                               | Fuel Hose Ø6xØ10x290mm             |
| B 40              | 5911241031 | Kurbelwellendichtung                         | Packing, Cascover                  |
| B 52              | 5911241032 | Öleinfüllstutzen                             | Extension, Oil Filler              |
| B 56              | 3904601090 | Zündkerze                                    | Spark Plug                         |
| B 59              | 5911241033 | Ölmessschraube                               | Dipstick                           |
| B 60              | 5911241034 | Schwungrad                                   | Flywheel Assembly                  |
| B 61              | 5911241035 | Lüfterrad Starterkit                         | Fan, Recoil Starter                |
| B 65              | 5911241036 | Zündspule                                    | Ignition Coil Assy                 |
| B 69-72           | 5911241037 | Vergaserdichtungssatz                        | Carburetor Gasket Set              |
| B 80              | 5911241038 | Luftfiltergehäuse                            | Air Cleaner Assembly               |
| B 81              | 5911241039 | Motorabdeckung unten                         | Hood, Fan                          |
| B 82              | 5911241040 | Starterkit Abdeckung                         | Starter comp, Recoil               |
| B 83              | 5911240031 | Tankdeckel                                   | Fuel Tank Cap                      |
| B 85              | 5911241041 | Benzintank                                   | Fuel Tank Assembly                 |
| B 86              | 5911240041 | Auspuff                                      | Muffler comp                       |
| B 87              | 5911241042 | Schutzabdeckung Auspuff                      | Shield, out Muffler                |
| B 90              | 5911241043 | Starterkit                                   | Rewind Starter Assy                |
| B o.Abb           | 5911241044 | Luftfiltereinsatz                            | Air Filter Inlet                   |