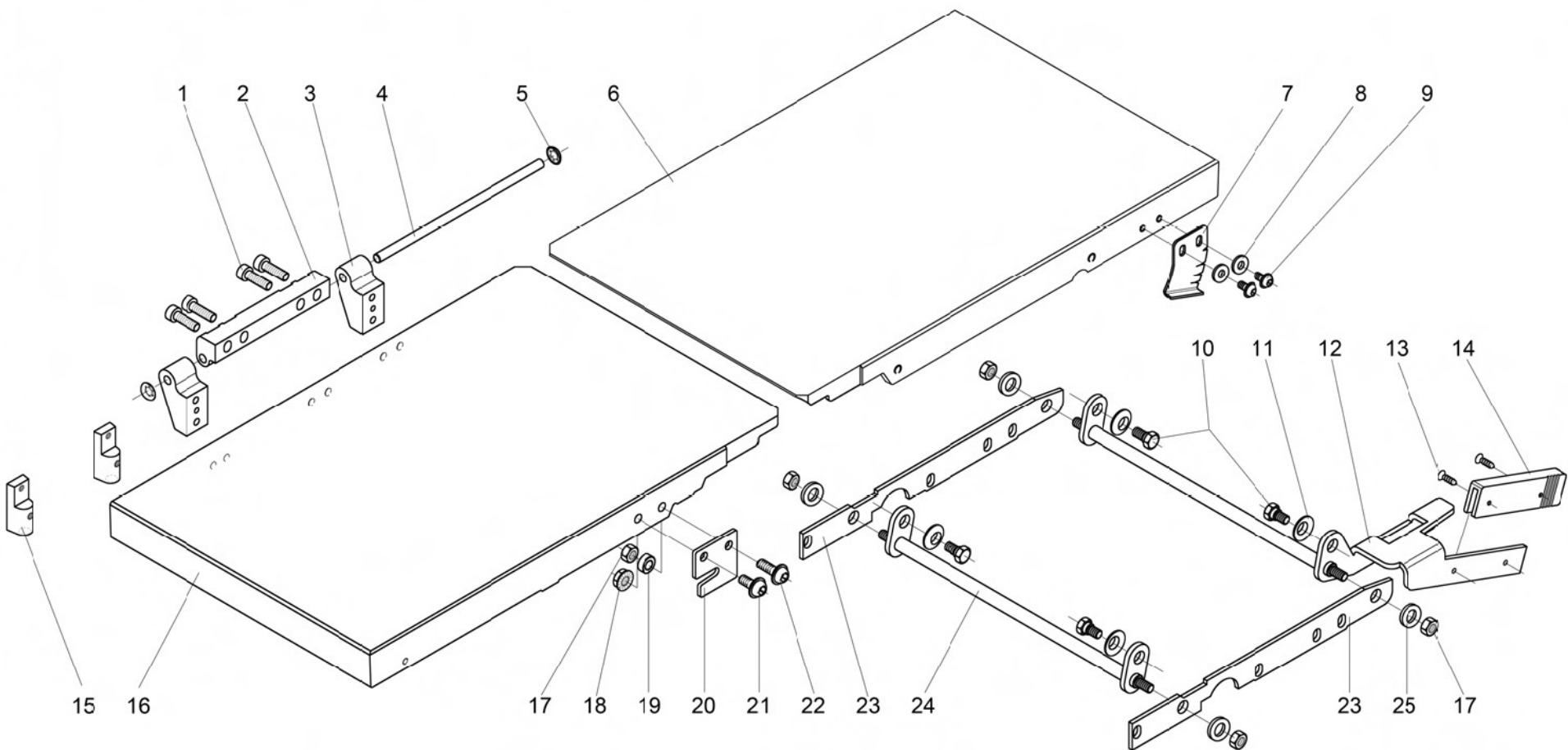
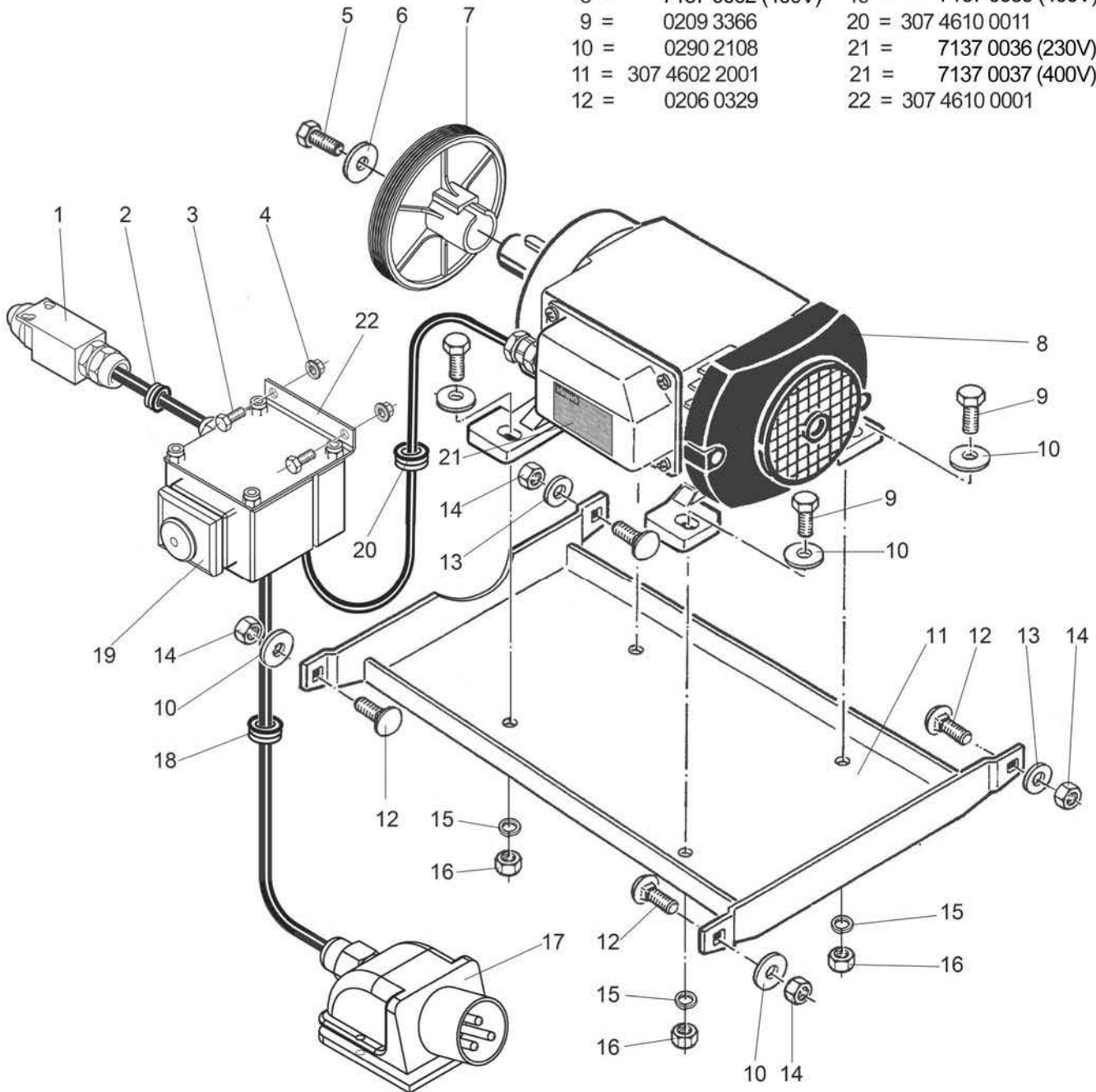


1 = 0209 1249	8 = 0201 2504	15 = 6230 0012	22 = 0500 5303
2 = 6230 0011	9 = 0500 5401	16 = 6230 0005	23 = 6230 0220
3 = 6230 0010	10 = 6230 0085	17 = 0500 1203	24 = 6230 0083
4 = 6230 0014	11 = 0120 9306	18 = 0500 7101	25 = 0201 2506
5 = 0500 3461	12 = 6230 0084	19 = 6230 4018	
6 = 6230 0006	13 = 0209 6443	20 = 6230 0221	
7 = 6230 0081	14 = 6240 5207	21 = 0500 5405	



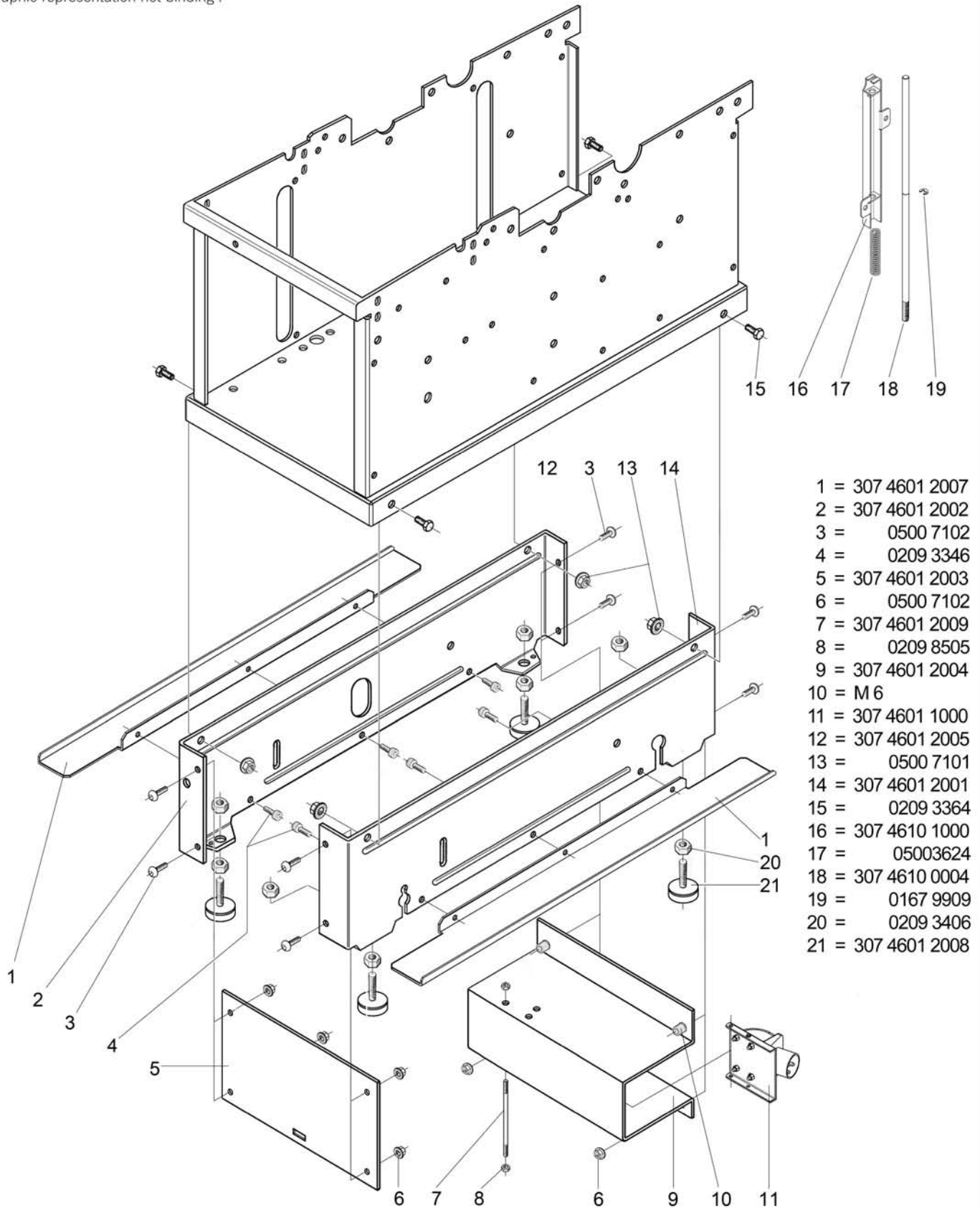
! Bildliche Darstellung unverbindlich !  
! graphic representation not binding !

- |      |                  |      |                  |
|------|------------------|------|------------------|
| 1 =  | 7137 0031        | 13 = | 0201 2506        |
| 2 =  | 307 6001 0004    | 14 = | 0209 8505        |
| 3 =  | 0209 3346        | 15 = | 0267 9809        |
| 4 =  | 0500 7102        | 16 = | 0209 8505        |
| 5 =  | 0209 3365        | 17 = | 7137 0032 (230V) |
| 6 =  | 0290 2108        | 17 = | 7137 0033 (400V) |
| 7 =  | 307 4602 2002    | 18 = | 307 2007 2003    |
| 8 =  | 7137 0001 (230V) | 19 = | 7137 0034 (230V) |
| 8 =  | 7137 0002 (400V) | 19 = | 7137 0035 (400V) |
| 9 =  | 0209 3366        | 20 = | 307 4610 0011    |
| 10 = | 0290 2108        | 21 = | 7137 0036 (230V) |
| 11 = | 307 4602 2001    | 21 = | 7137 0037 (400V) |
| 12 = | 0206 0329        | 22 = | 307 4610 0001    |



- 1 - 2 / 17 - 20 = 71370010 (230 V)  
 1 - 2 / 17 - 20 = 71370011 (400 V)  
 1-2 / 8 / 17-20 = 71370012 (230 V)  
 1-2 / 8 / 17-20 = 71370013 (400 V)

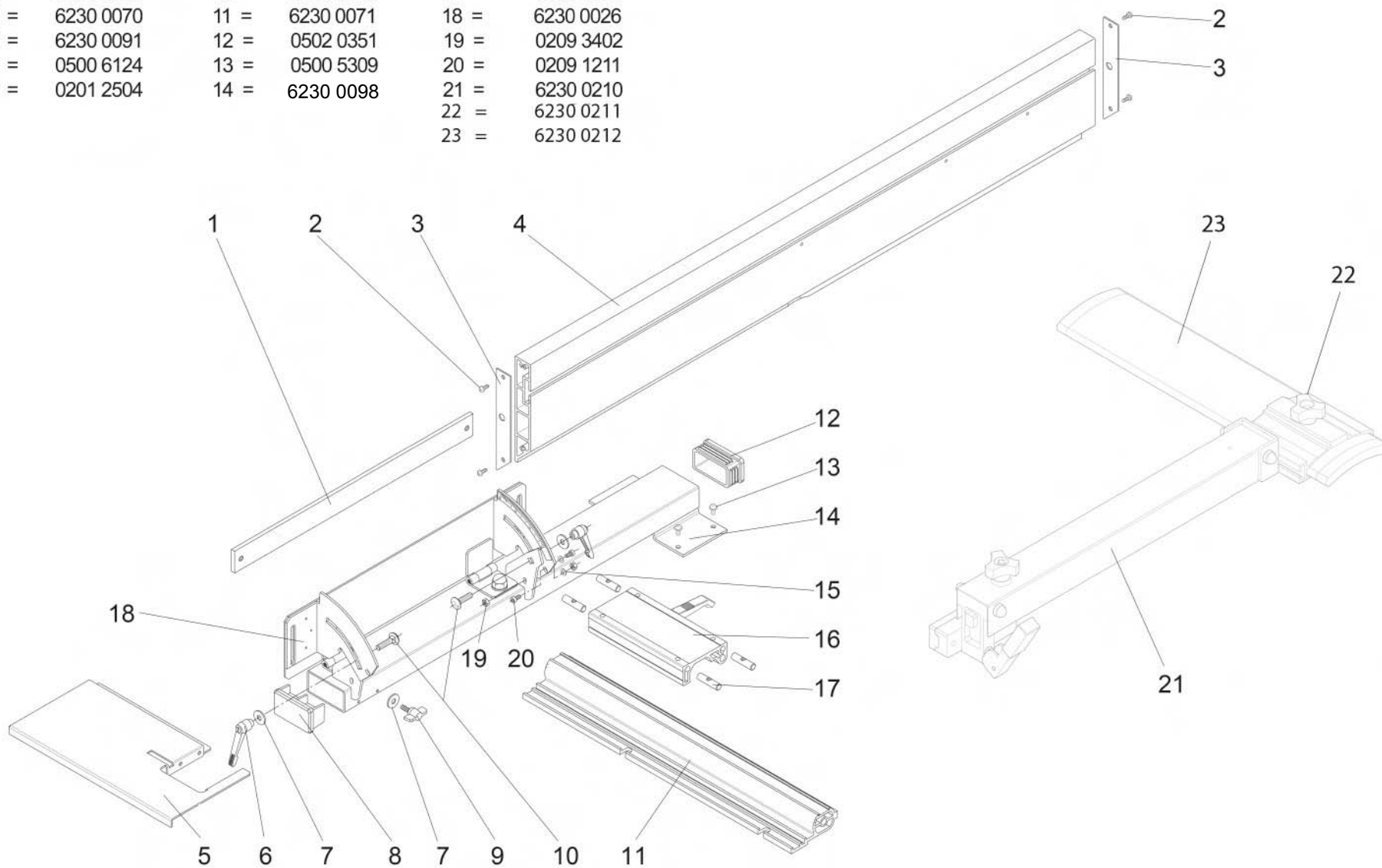
! Bildliche Darstellung unverbindlich !  
! graphic representation not binding !



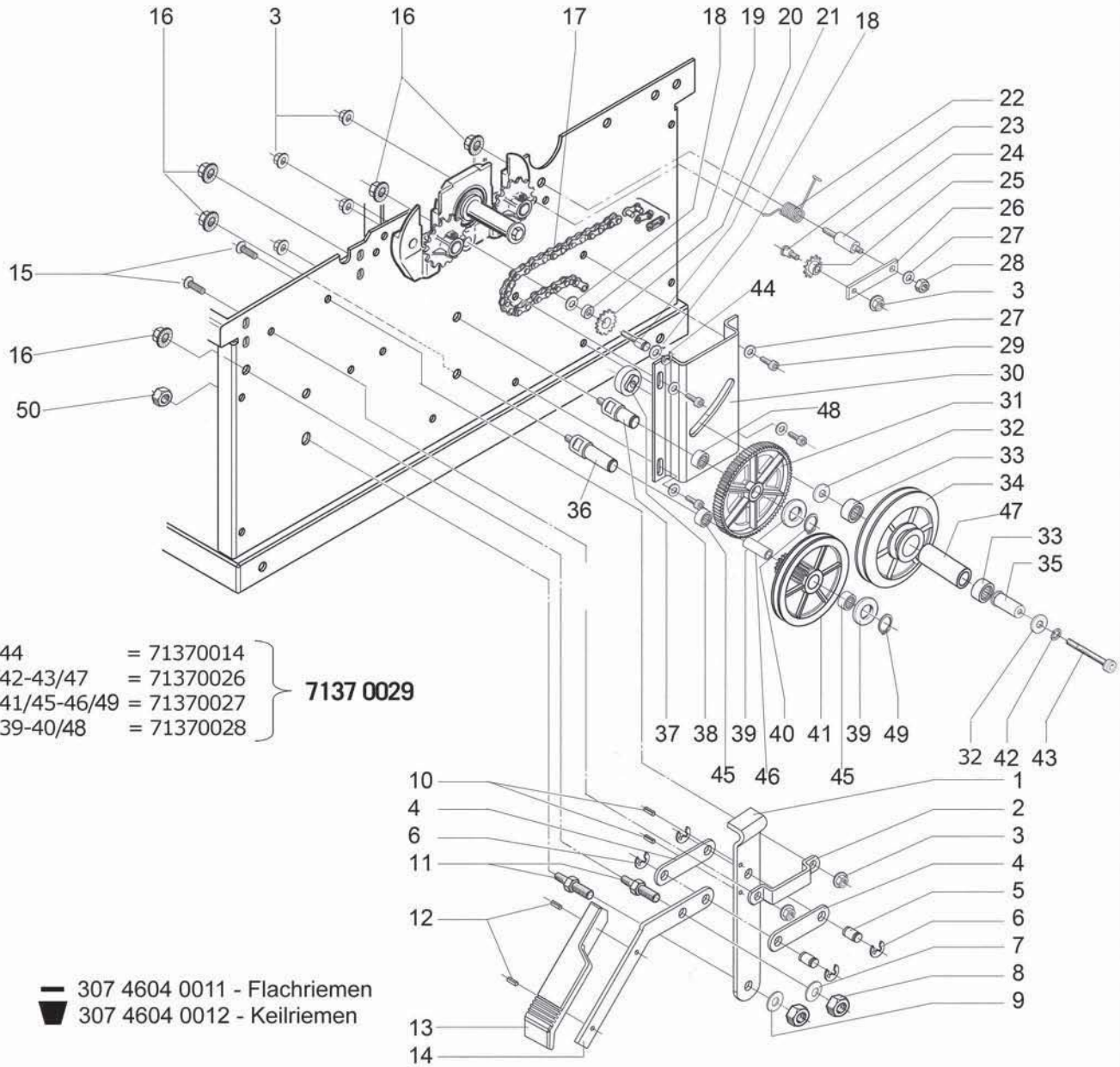
- 1 = 307 4601 2007
- 2 = 307 4601 2002
- 3 = 0500 7102
- 4 = 0209 3346
- 5 = 307 4601 2003
- 6 = 0500 7102
- 7 = 307 4601 2009
- 8 = 0209 8505
- 9 = 307 4601 2004
- 10 = M 6
- 11 = 307 4601 1000
- 12 = 307 4601 2005
- 13 = 0500 7101
- 14 = 307 4601 2001
- 15 = 0209 3364
- 16 = 307 4610 1000
- 17 = 05003624
- 18 = 307 4610 0004
- 19 = 0167 9909
- 20 = 0209 3406
- 21 = 307 4601 2008

! Bildliche Darstellung unverbindlich!  
! graphic representation not binding!

- |               |                |                |                                |
|---------------|----------------|----------------|--------------------------------|
| 1 = 6230 0200 | 8 = 5460 0080  | 15 = 0201 2502 | 1 - 20 = 62300110              |
| 2 = 0279 8122 | 9 = 0500 6438  | 16 = 6230 0075 | o.Abb. 1902202001 Führungsrohr |
| 3 = 6230 0099 | 10 = 0206 0313 | 17 = 6230 0088 |                                |
| 4 = 6230 0070 | 11 = 6230 0071 | 18 = 6230 0026 |                                |
| 5 = 6230 0091 | 12 = 0502 0351 | 19 = 0209 3402 |                                |
| 6 = 0500 6124 | 13 = 0500 5309 | 20 = 0209 1211 |                                |
| 7 = 0201 2504 | 14 = 6230 0098 | 21 = 6230 0210 |                                |
|               |                | 22 = 6230 0211 |                                |
|               |                | 23 = 6230 0212 |                                |



! Bildliche Darstellung unverbindlich !  
! graphic representation not binding !



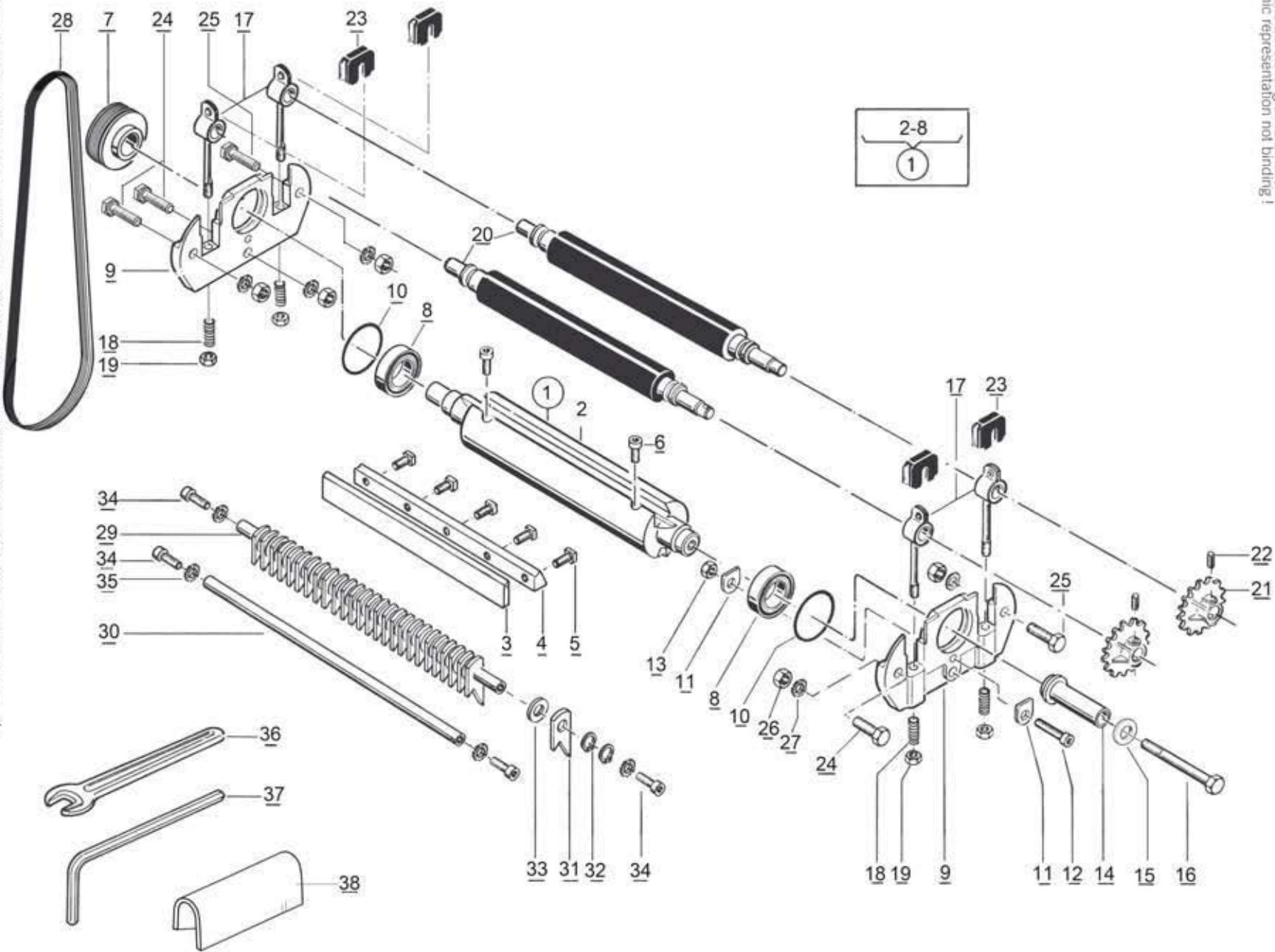
18-21/44 = 71370014  
32-35/42-43/47 = 71370026  
36/39/41/45-46/49 = 71370027  
31/37/39-40/48 = 71370028

**7137 0029**

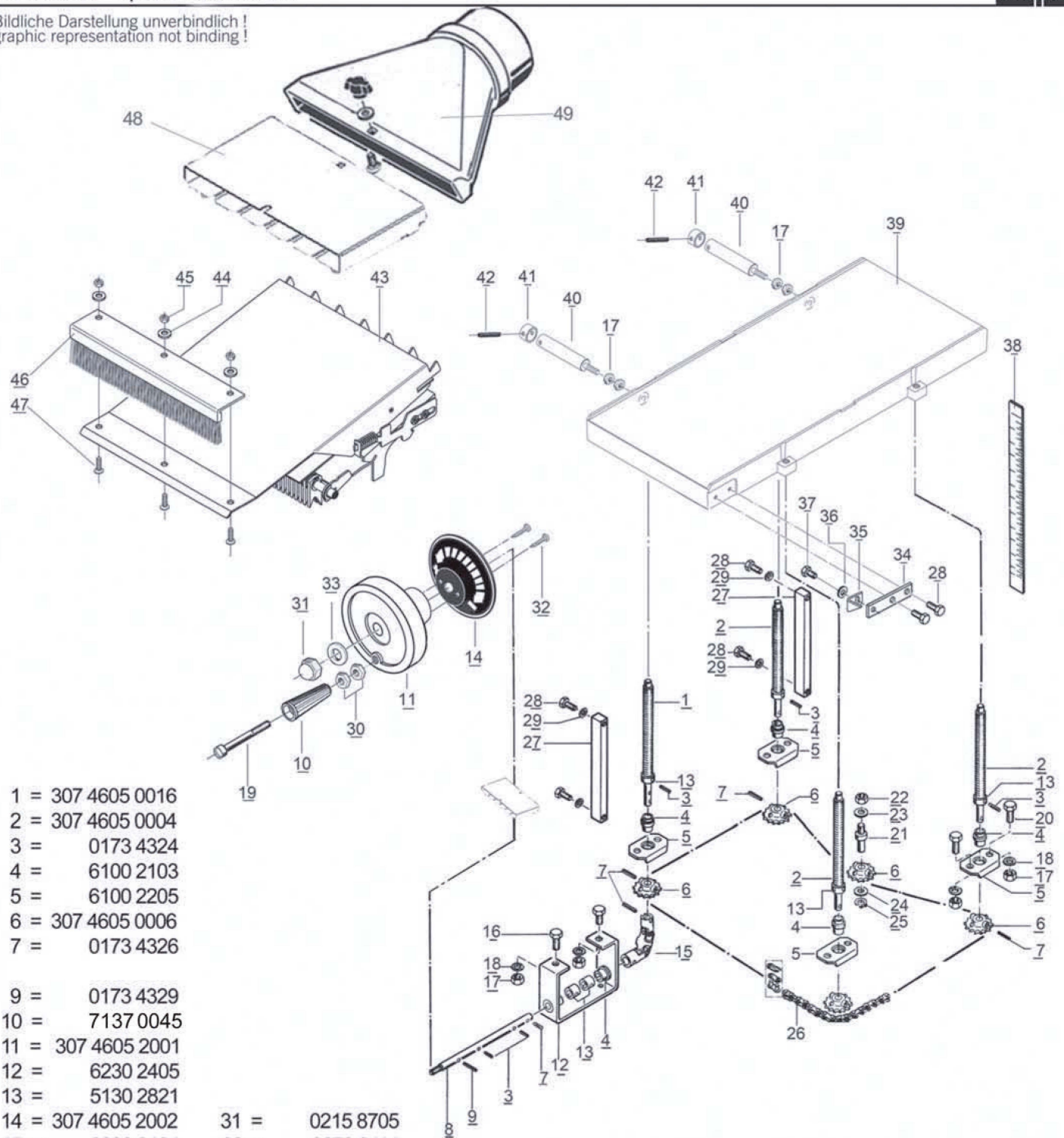
— 307 4604 0011 - Flachriemen  
▴ 307 4604 0012 - Keilriemen

1= 6230 4800	17= 307 4604 0005	33= 0604 2012	49= 0104 7109
2= 6230 4912	18= 0201 2506	34= 307 4604 0022	50= 0209 8505
3= 0500 7102	19= 7137 0030	35= 307 4604 0023	
4= 6230 4016	20= 7137 0014	36= 307 4604 3003	Alu: 7137 0039
5= 6230 4015	21= 307 4604 0017	37= 307 4604 3004	
6= 0120 9306	22= 307 4604 1003	38= 307 4604 0016	
7= 0167 9931	23= 307 4004 0003	39= 0214 4009	
8= 0500 1204	24= 307 4604 1001	40= 0104 7112	
9= 0120 9302	25= 307 4004 0002	41= 307 4604 3002	Alu: 7137 0025
10= 0173 4322	26= 307 4004 1002	42= 0201 3757	
11= 6230 4013	27= 0201 2504	43= 0209 1259	
12= 0173 4322	28= 0500 1202	44= 0167 9911	
13= 6230 4810	29= 0209 1236	45= 7137 0023	
14= 6230 4811	30= 307 4604 0010	46= 307 4604 0020	
15= 307 4607 0008	31= 307 4604 0019	47= 307 4604 0021	
16= 0500 7101	32= 0290 2108	48= 7137 0024	

- 1 = 7120 4000
- 2 = 6200 4100
- 3 = 6200 4134
- 4 = 7137 0016
- 5 = 7137 0017
- 6 = 0209 1235
- 7 = 307 4602 0003
- 8 = 0640 6005
- 9 = 6200 4106
- 10 = 0500 4201
- 11 = 6100 4033
- 12 = 0209 3350
- 13 = 0209 3404
- 14 = 307 4604 0007
- 15 = 0120 9306
- 16 = 0209 3140
- 17 = 6100 4300
- 18 = 6100 4313
- 19 = 0209 3404
- 20 = 6200 4620
- 21 = 307 4604 0009
- 22 = 0173 4329
- 23 = 6200 4018
- 24 = 0209 3366
- 25 = 0209 3367
- 26 = 0209 3405
- 27 = 0201 2506
- 28 = 307 4602 0005
- 29/31-35=71370019
- 30 = 61003102
- 36 = 01089402
- 37 = 01091156
- 38 = 62004021
- 4-5 = 71370018
- 2, 6-16 = 71370044



! Bildliche Darstellung unverbindlich !  
! graphic representation not binding !

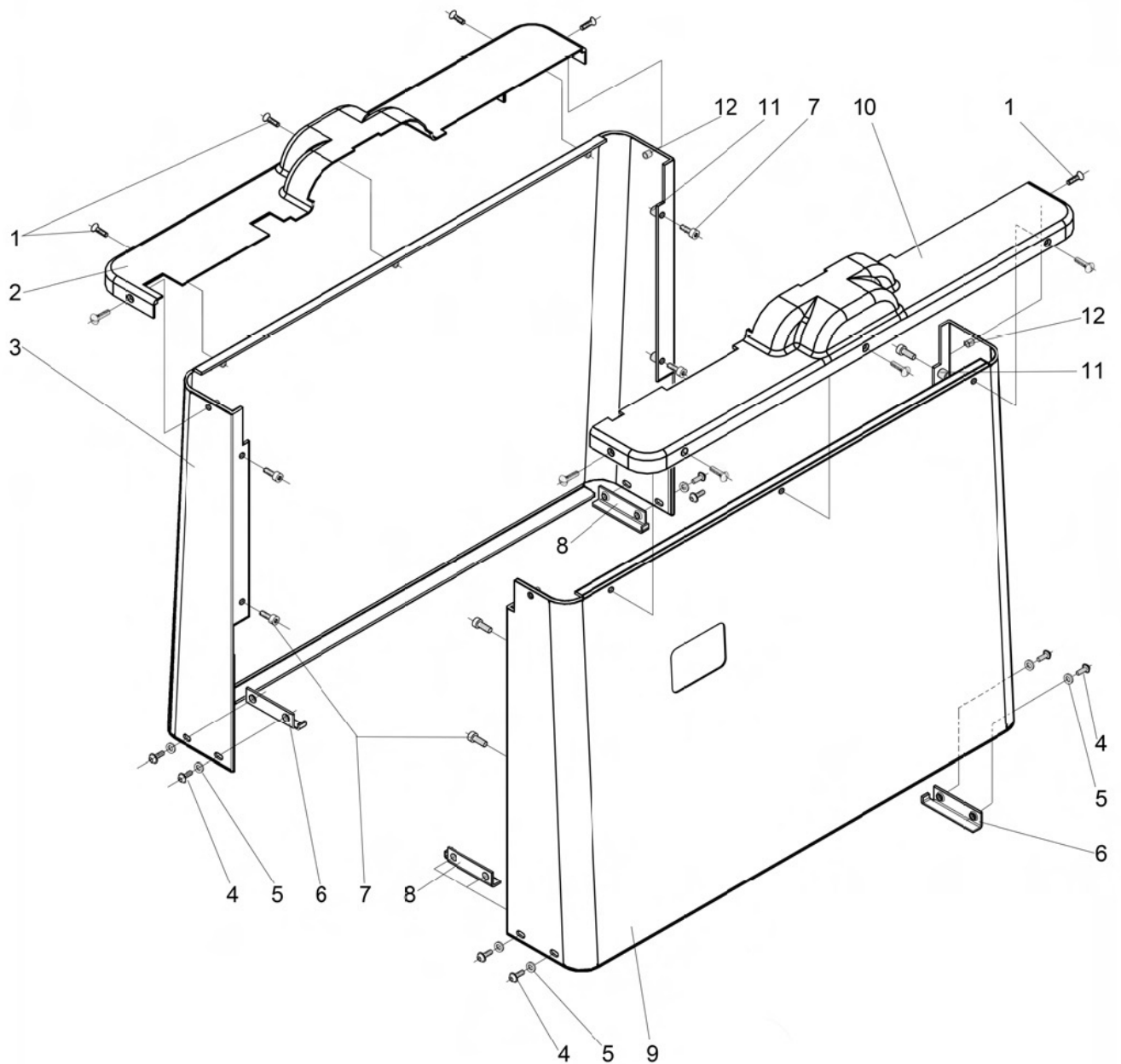


- 1 = 307 4605 0016
- 2 = 307 4605 0004
- 3 = 0173 4324
- 4 = 6100 2103
- 5 = 6100 2205
- 6 = 307 4605 0006
- 7 = 0173 4326
  
- 9 = 0173 4329
- 10 = 7137 0045
- 11 = 307 4605 2001
- 12 = 6230 2405
- 13 = 5130 2821
- 14 = 307 4605 2002
- 15 = 6200 2104
- 16 = 0209 3365
- 17 = 0209 3405
- 18 = 0201 3707
- 19 = 7137 0046
- 20 = 0209 3364
- 21 = 307 4605 0009
- 22 = 0209 3405
- 23 = 0201 2506
- 24 = 0201 2507
- 25 = 0500 3415
- 26 = 307 4605 0009
- 27 = 307 4605 0012
- 28 = 0209 1235
- 29 = 0201 2504
- 30 = 0209 3405

- 31 = 0215 8705
- 32 = 0279 8114
- 33 = 0201 2507
- 34 = 307 4605 0017
- 35 = 307 4605 0018
- 36 = 0201 2504
- 37 = 0500 5401
- 38 = 307 4613 0001
- 39 = 6230 0020
- 40 = 6230 0089
- 41 = 6100 2812
- 42 = 0173 4329
- 43 = 7137 0041
- 44 = 0201 2504
- 45 = 0209 3404
- 46 = 307 4607 3300
- 47 = 307 4607 0008

**3,4,7-9,12,13,15 = 71370071**  
**48 - 49 = 62300111**

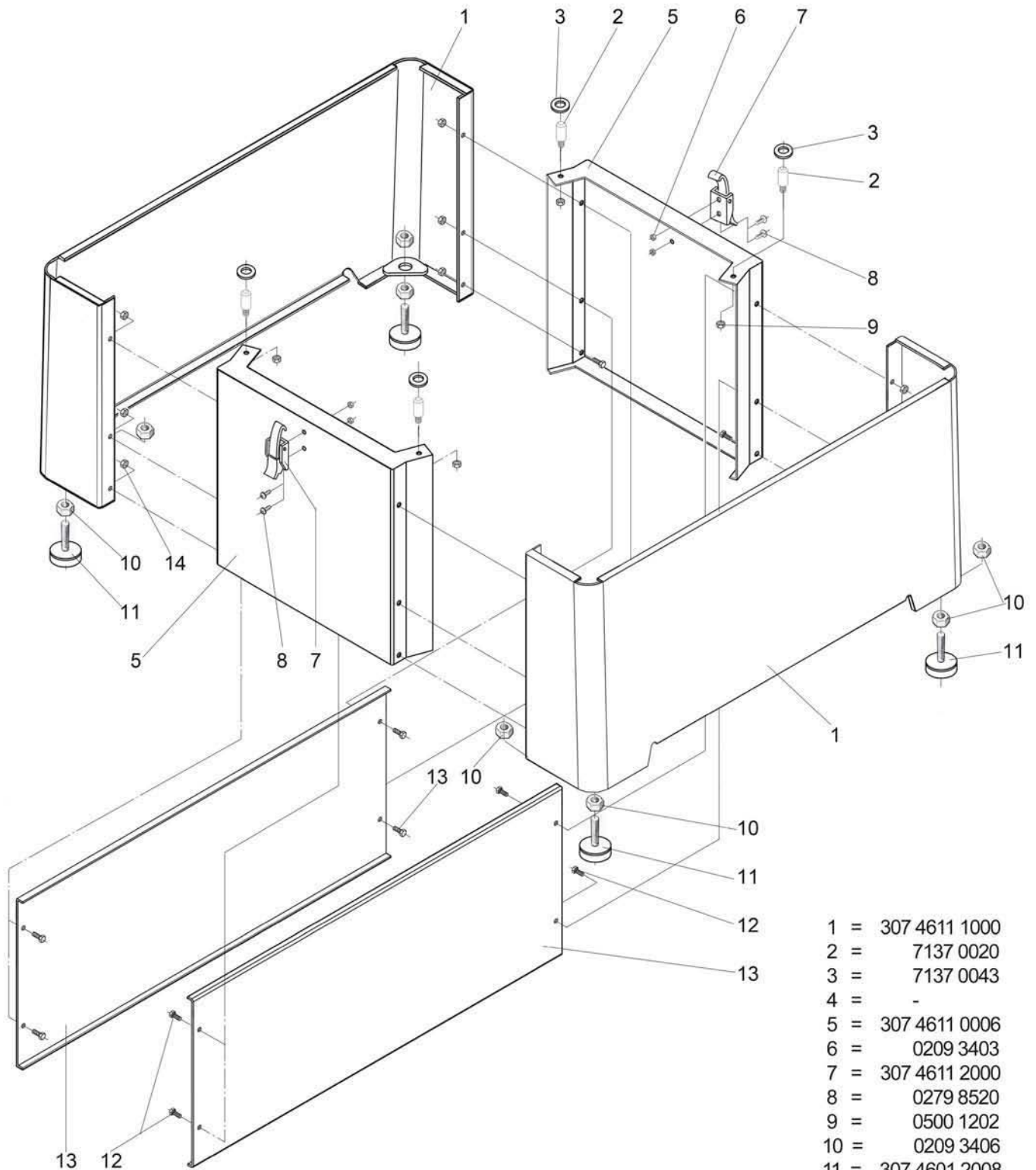
! Bildliche Darstellung unverbindlich !  
! graphic representation not binding !



- 1 = 0279 8520
- 2 = 307 4603 1002
- 3 = 307 4603 1001
- 4 = 0500 5401
- 5 = 0201 2504
- 6 = 307 4603 0004
- 7 = 0209 1236
- 8 = 307 4603 0004
- 9 = 307 4603 2001
- 10 = 307 4603 2002
- 11 = M 6
- 12 = M 5



! Bildliche Darstellung unverbindlich !  
! graphic representation not binding !



1 =	307 4611 1000
2 =	7137 0020
3 =	7137 0043
4 =	-
5 =	307 4611 0006
6 =	0209 3403
7 =	307 4611 2000
8 =	0279 8520
9 =	0500 1202
10 =	0209 3406
11 =	307 4601 2008
12 =	0209 3346
13 =	307 4611 0003
14 =	0500 7102



**hms2600ci** Abricht- und Dickenhobelmaschine  
 planer and thicknesser 71370901  
0120

update: 18.03.2019

Skizze	Art.Nr.	Benennung	description
o. Abb.	71370042	Verschlussglied	locking link
o. Abb.	71370038	Not-Aus-Blende	emergency-stop cover
o. Abb.	71370040	Kondensator 40@F 450V mit Kabel	capacitor 40@F 450V with cable
o. Abb.	71370069	Kleinschütz 240V	small contactor
o. Abb.	71370071	Schraube mit Flügelmutter	Screw with Wing Nut
o. Abb.	51011320	NETZKABEL m.Verpolgungssicherer SCHUKOKUP.+STECKER AUSTRALIEN	reverse protected cable with special New Zealand/Australian