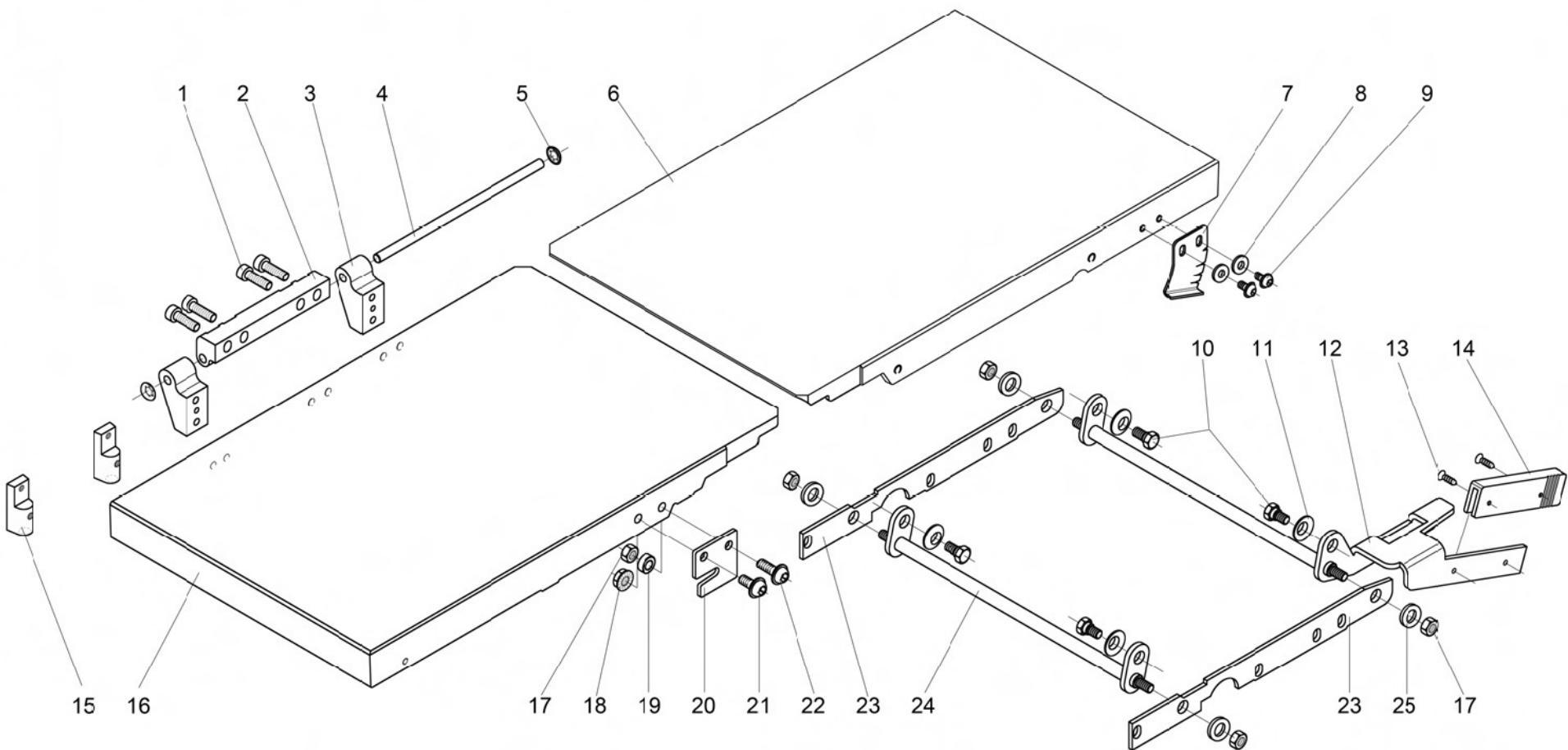
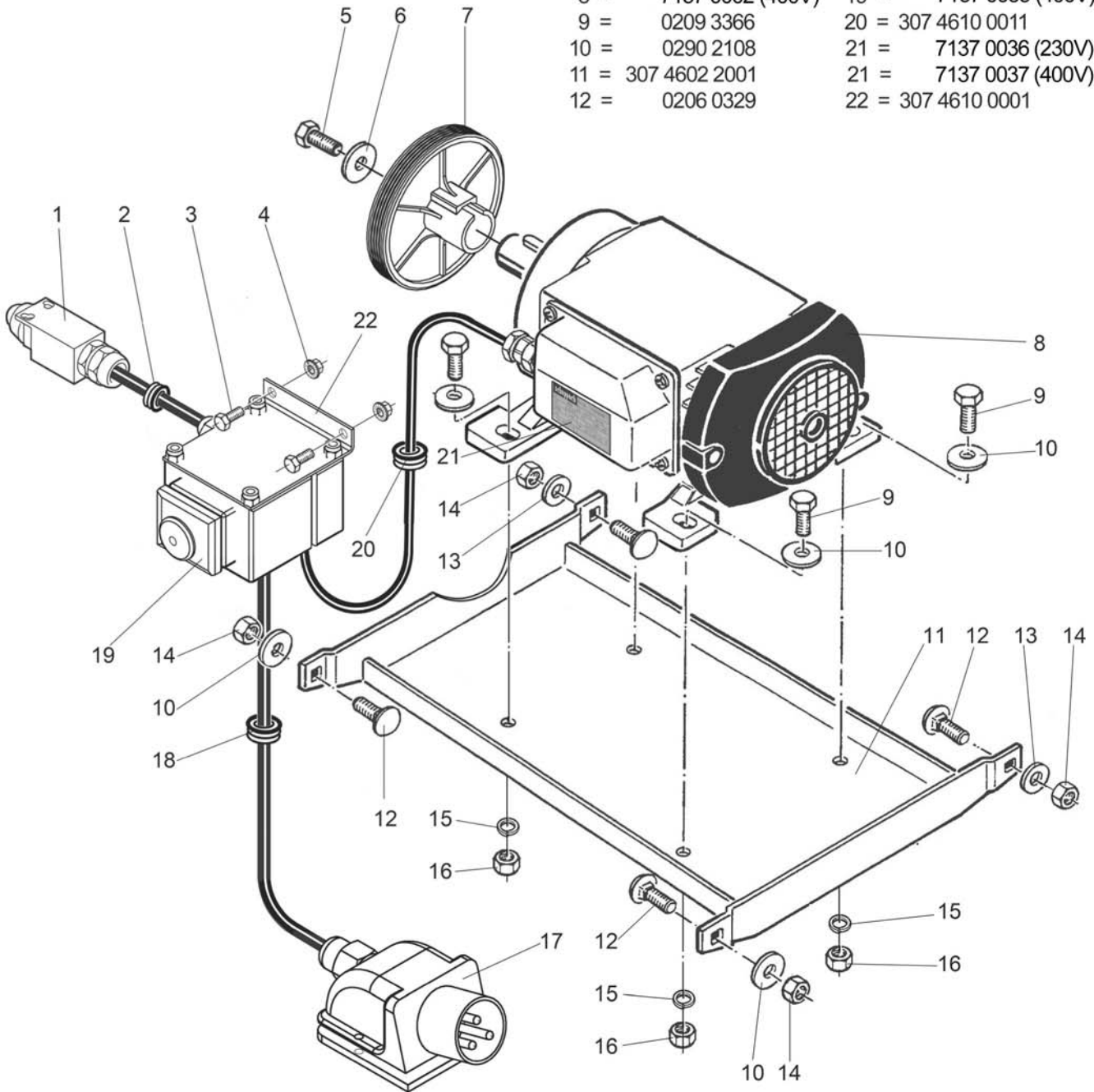


| | | | |
|---------------|----------------|----------------|----------------|
| 1 = 0209 1249 | 8 = 0201 2504 | 15 = 6230 0012 | 22 = 0500 5303 |
| 2 = 6230 0011 | 9 = 0500 5401 | 16 = 6230 0005 | 23 = 6230 0220 |
| 3 = 6230 0010 | 10 = 6230 0085 | 17 = 0500 1203 | 24 = 6230 0083 |
| 4 = 6230 0014 | 11 = 0120 9306 | 18 = 0500 7101 | 25 = 0201 2506 |
| 5 = 0500 3461 | 12 = 6230 0084 | 19 = 6230 4018 | |
| 6 = 6230 0006 | 13 = 0209 6443 | 20 = 6230 0221 | |
| 7 = 6230 0081 | 14 = 6240 5207 | 21 = 0500 5405 | |



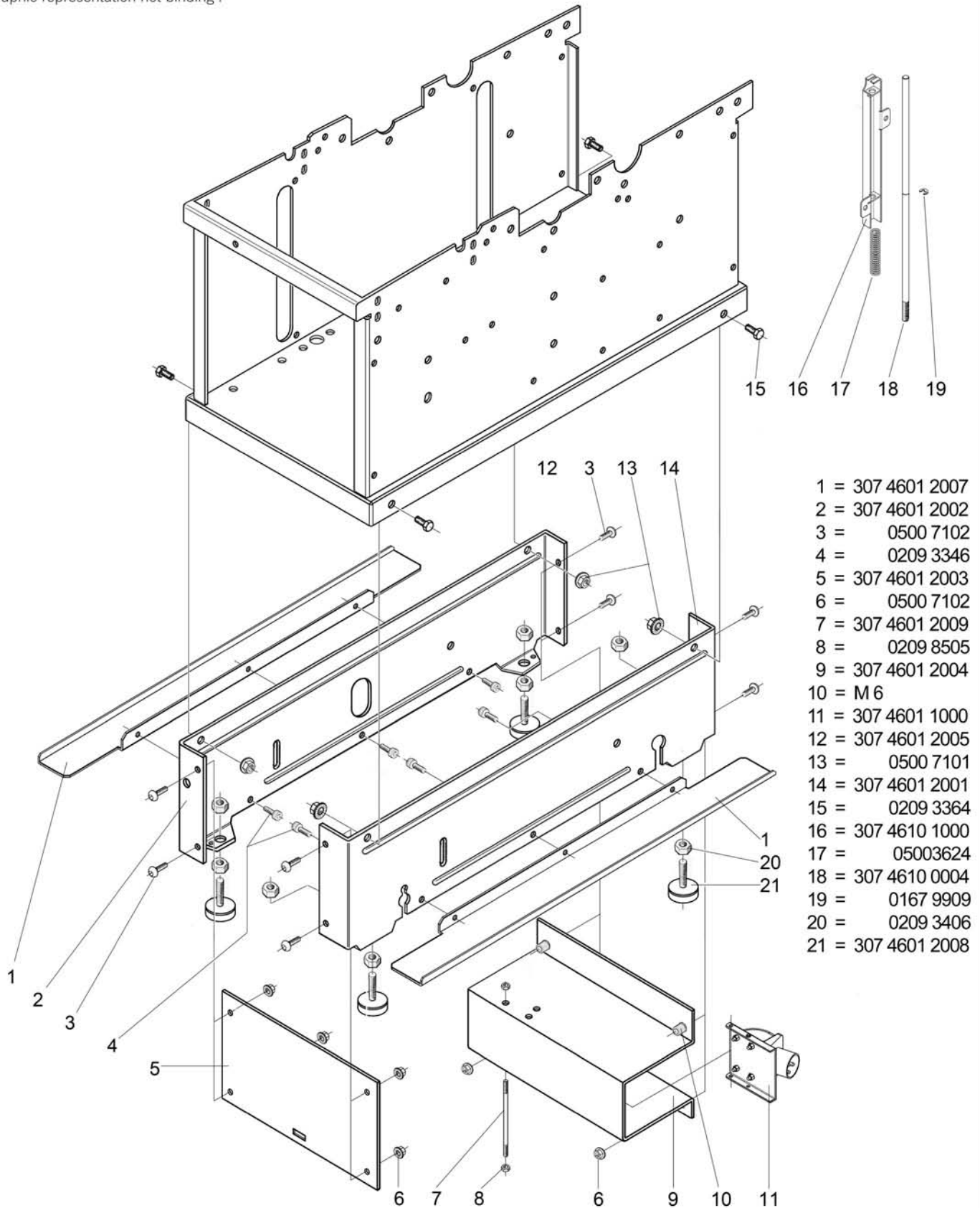
! Bildliche Darstellung unverbindlich !
! graphic representation not binding !

- | | | | |
|------|------------------|------|------------------|
| 1 = | 7137 0031 | 13 = | 0201 2506 |
| 2 = | 307 6001 0004 | 14 = | 0209 8505 |
| 3 = | 0209 3346 | 15 = | 0267 9809 |
| 4 = | 0500 7102 | 16 = | 0209 8505 |
| 5 = | 0209 3365 | 17 = | 7137 0032 (230V) |
| 6 = | 0290 2108 | 17 = | 7137 0033 (400V) |
| 7 = | 307 4602 2002 | 18 = | 307 2007 2003 |
| 8 = | 7137 0001 (230V) | 19 = | 7137 0034 (230V) |
| 8 = | 7137 0002 (400V) | 19 = | 7137 0035 (400V) |
| 9 = | 0209 3366 | 20 = | 307 4610 0011 |
| 10 = | 0290 2108 | 21 = | 7137 0036 (230V) |
| 11 = | 307 4602 2001 | 21 = | 7137 0037 (400V) |
| 12 = | 0206 0329 | 22 = | 307 4610 0001 |



- 1 - 2 / 17 - 20 = 71370010 (230 V)
 1 - 2 / 17 - 20 = 71370011 (400 V)
 1-2 / 8 / 17-20 = 71370012 (230 V)
 1-2 / 8 / 17-20 = 71370013 (400 V)

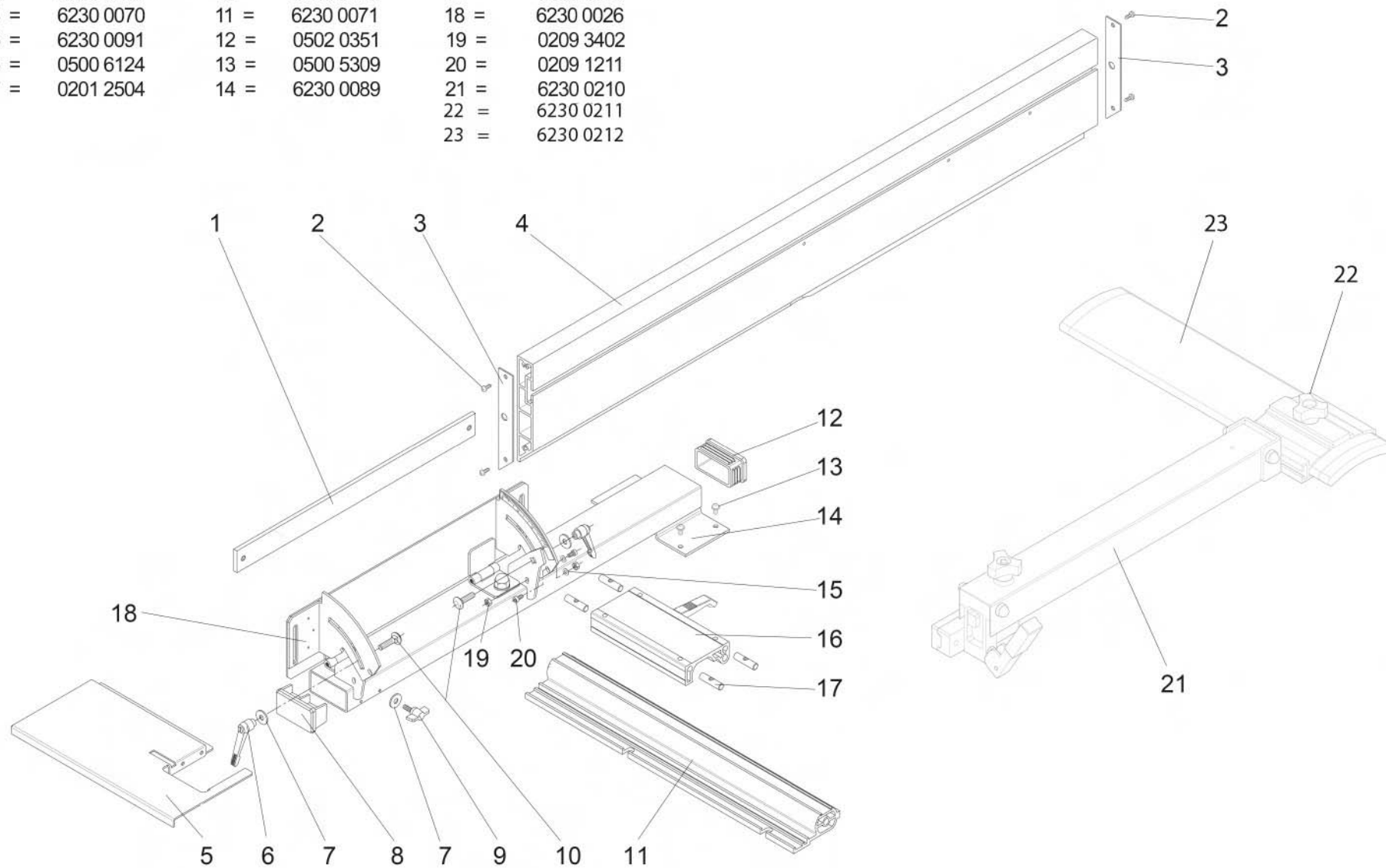
! Bildliche Darstellung unverbindlich !
! graphic representation not binding !



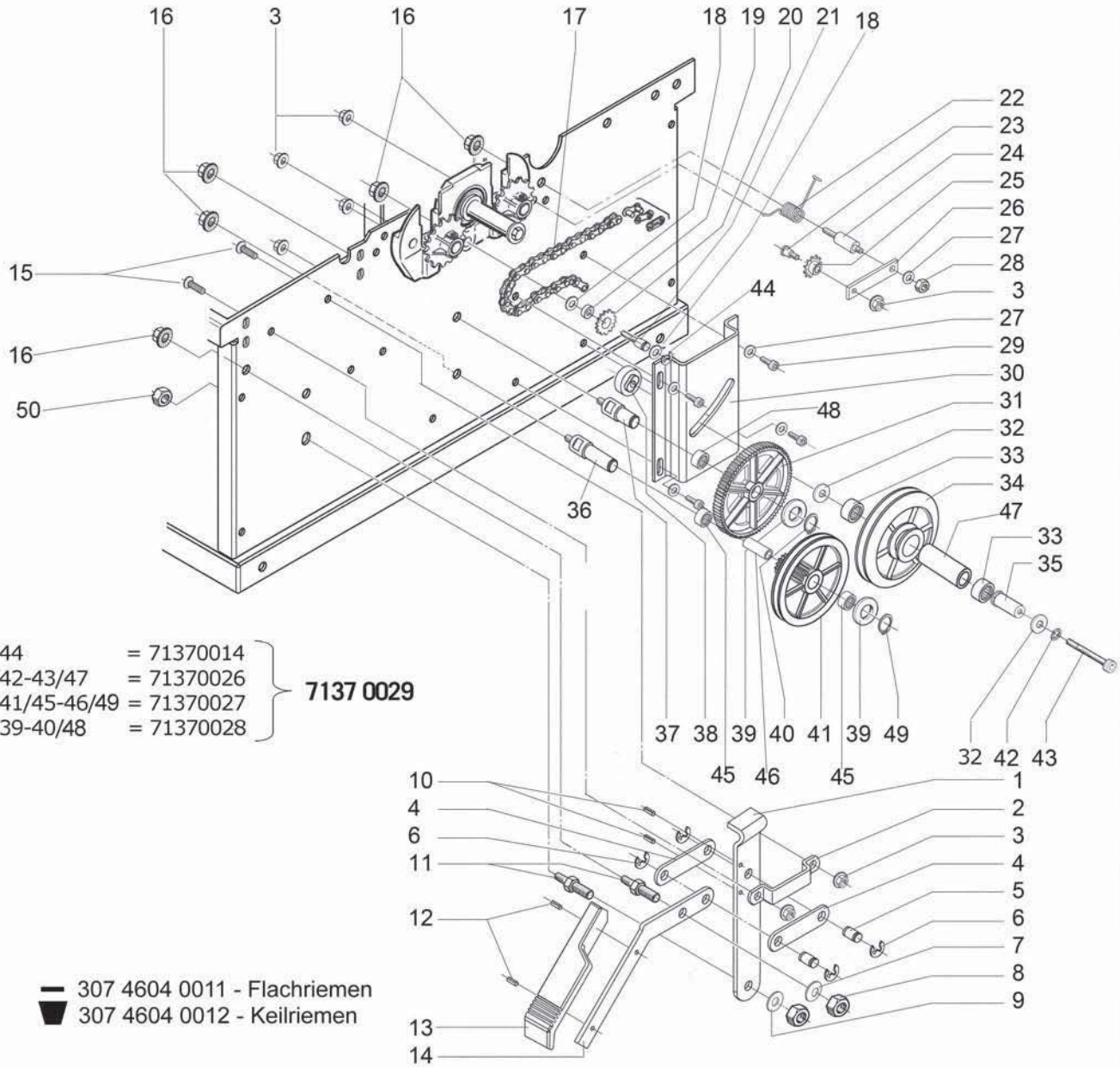
- 1 = 307 4601 2007
- 2 = 307 4601 2002
- 3 = 0500 7102
- 4 = 0209 3346
- 5 = 307 4601 2003
- 6 = 0500 7102
- 7 = 307 4601 2009
- 8 = 0209 8505
- 9 = 307 4601 2004
- 10 = M 6
- 11 = 307 4601 1000
- 12 = 307 4601 2005
- 13 = 0500 7101
- 14 = 307 4601 2001
- 15 = 0209 3364
- 16 = 307 4610 1000
- 17 = 05003624
- 18 = 307 4610 0004
- 19 = 0167 9909
- 20 = 0209 3406
- 21 = 307 4601 2008

! Bildliche Darstellung unverbindlich !
! Graphic representation not binding !

- | | | | |
|---------------|----------------|----------------|-------------------|
| 1 = 6230 0200 | 8 = 5460 0080 | 15 = 0201 2502 | 1 - 20 = 62300110 |
| 2 = 0279 8122 | 9 = 0500 6438 | 16 = 6230 0075 | |
| 3 = 6230 0099 | 10 = 0206 0313 | 17 = 6230 0088 | |
| 4 = 6230 0070 | 11 = 6230 0071 | 18 = 6230 0026 | |
| 5 = 6230 0091 | 12 = 0502 0351 | 19 = 0209 3402 | |
| 6 = 0500 6124 | 13 = 0500 5309 | 20 = 0209 1211 | |
| 7 = 0201 2504 | 14 = 6230 0089 | 21 = 6230 0210 | |
| | | 22 = 6230 0211 | |
| | | 23 = 6230 0212 | |



! Bildliche Darstellung unverbindlich !
! graphic representation not binding !

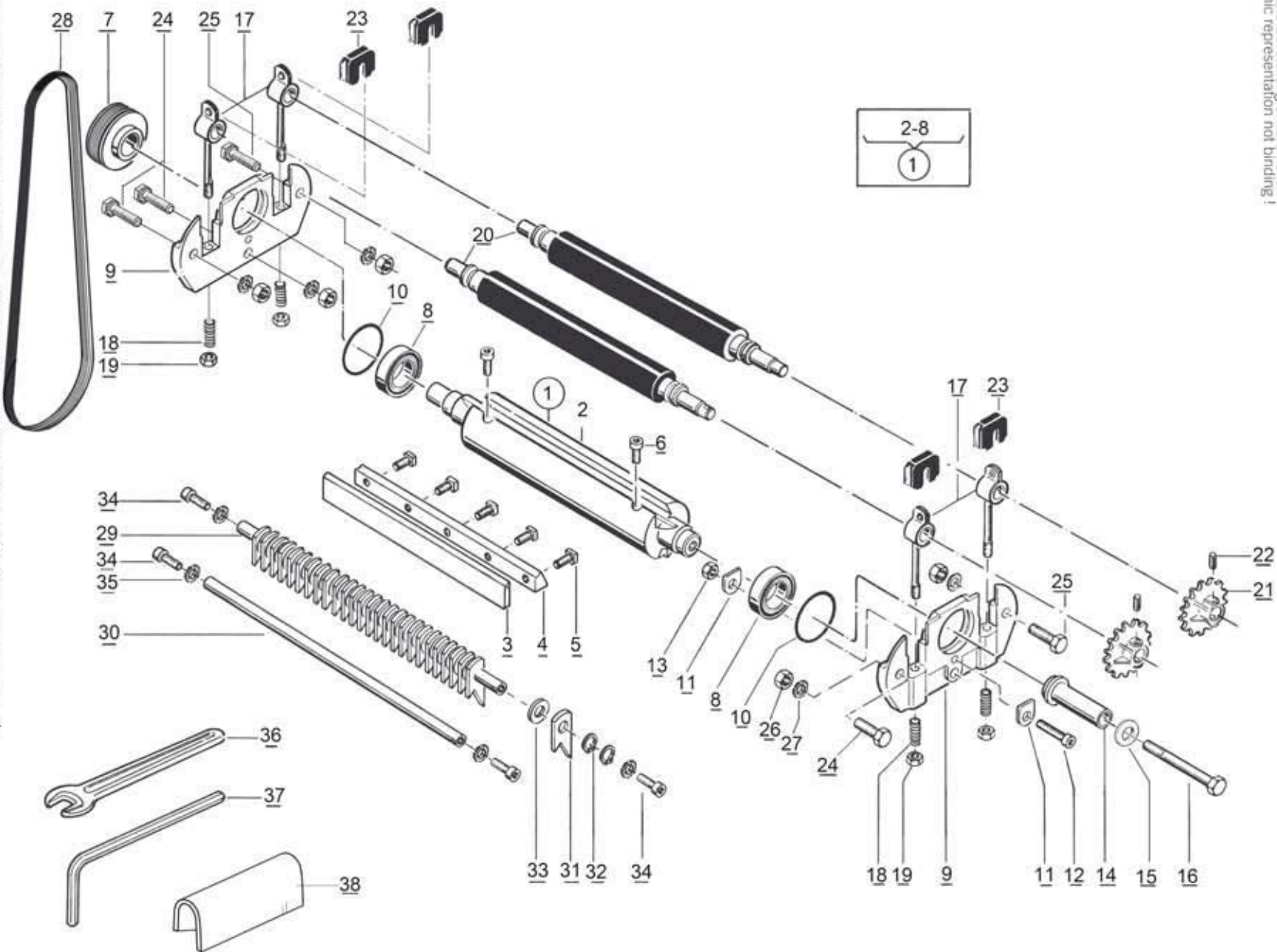


18-21/44 = 71370014
 32-35/42-43/47 = 71370026
 36/39/41/45-46/49 = 71370027
 31/37/39-40/48 = 71370028
7137 0029

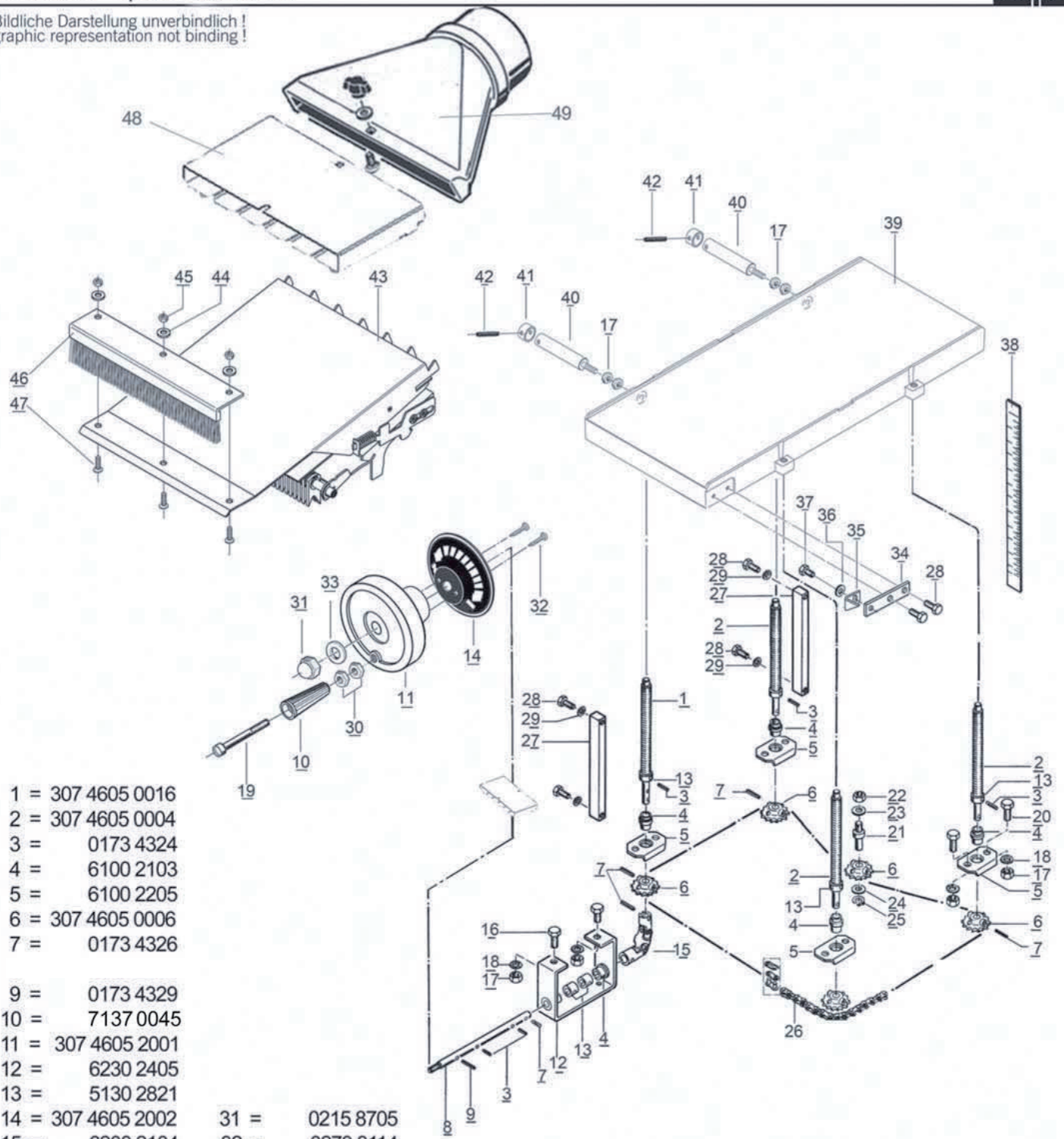
— 307 4604 0011 - Flachriemen
 ▴ 307 4604 0012 - Keilriemen

| | | | |
|-------------------|-------------------|-------------------|----------------|
| 1= 6230 4800 | 17= 307 4604 0005 | 33= 0604 2012 | 49= 0104 7109 |
| 2= 6230 4912 | 18= 0201 2506 | 34= 307 4604 0022 | 50= 0209 8505 |
| 3= 0500 7102 | 19= 7137 0030 | 35= 307 4604 0023 | |
| 4= 6230 4016 | 20= 7137 0014 | 36= 307 4604 3003 | Alu: 7137 0039 |
| 5= 6230 4015 | 21= 307 4604 0017 | 37= 307 4604 3004 | |
| 6= 0120 9306 | 22= 307 4604 1003 | 38= 307 4604 0016 | |
| 7= 0167 9931 | 23= 307 4004 0003 | 39= 0214 4009 | |
| 8= 0500 1204 | 24= 307 4604 1001 | 40= 0104 7112 | |
| 9= 0120 9302 | 25= 307 4004 0002 | 41= 307 4604 3002 | Alu: 7137 0025 |
| 10= 0173 4322 | 26= 307 4004 1002 | 42= 0201 3757 | |
| 11= 6230 4013 | 27= 0201 2504 | 43= 0209 1259 | |
| 12= 0173 4322 | 28= 0500 1202 | 44= 0167 9911 | |
| 13= 6230 4810 | 29= 0209 1236 | 45= 7137 0023 | |
| 14= 6230 4811 | 30= 307 4604 0010 | 46= 307 4604 0020 | |
| 15= 307 4607 0008 | 31= 307 4604 0019 | 47= 307 4604 0021 | |
| 16= 0500 7101 | 32= 0290 2108 | 48= 7137 0024 | |

- 1 = 7120 4000
- 2 = 6200 4100
- 3 = 6200 4134
- 4 = 7137 0016
- 5 = 7137 0017
- 6 = 0209 1235
- 7 = 307 4602 0003
- 8 = 0640 6005
- 9 = 6200 4106
- 10 = 0500 4201
- 11 = 6100 4033
- 12 = 0209 3350
- 13 = 0209 3404
- 14 = 307 4604 0007
- 15 = 0120 9306
- 16 = 0209 3140
- 17 = 6100 4300
- 18 = 6100 4313
- 19 = 0209 3404
- 20 = 6200 4620
- 21 = 307 4604 0009
- 22 = 0173 4329
- 23 = 6200 4018
- 24 = 0209 3366
- 25 = 0209 3367
- 26 = 0209 3405
- 27 = 0201 2506
- 28 = 307 4602 0005
- 29/31-35=71370019
- 30 = 61003102
- 36 = 01089402
- 37 = 01091156
- 38 = 62004021
- 4-5 = 71370018
- 2, 6-16 = 71370044



! Bildliche Darstellung unverbindlich !
! graphic representation not binding !



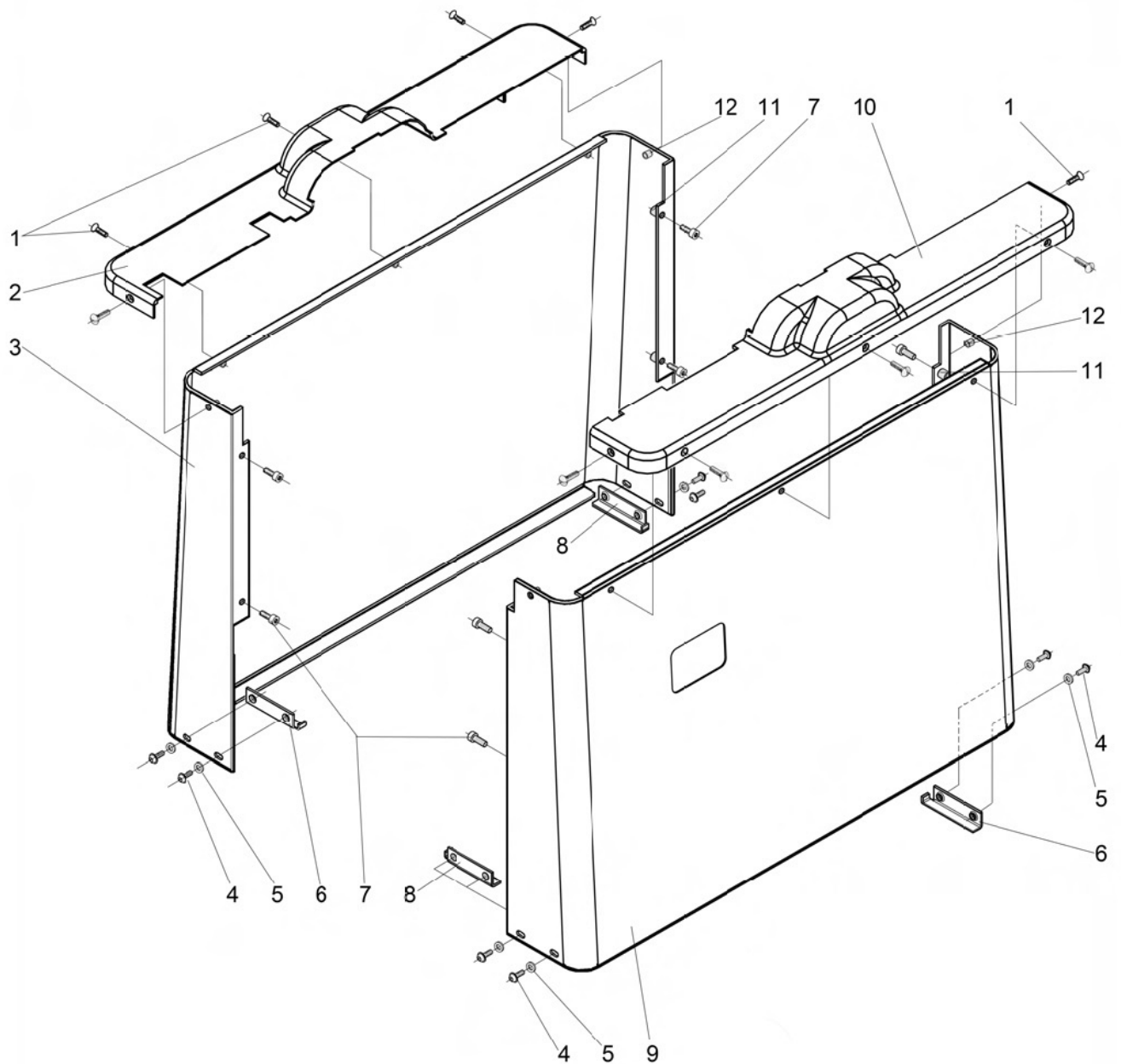
- 1 = 307 4605 0016
- 2 = 307 4605 0004
- 3 = 0173 4324
- 4 = 6100 2103
- 5 = 6100 2205
- 6 = 307 4605 0006
- 7 = 0173 4326

- 9 = 0173 4329
- 10 = 7137 0045
- 11 = 307 4605 2001
- 12 = 6230 2405
- 13 = 5130 2821
- 14 = 307 4605 2002
- 15 = 6200 2104
- 16 = 0209 3365
- 17 = 0209 3405
- 18 = 0201 3707
- 19 = 7137 0046
- 20 = 0209 3364
- 21 = 307 4605 0009
- 22 = 0209 3405
- 23 = 0201 2506
- 24 = 0201 2507
- 25 = 0500 3415
- 26 = 307 4605 0009
- 27 = 307 4605 0012
- 28 = 0209 1235
- 29 = 0201 2504
- 30 = 0209 3405

- 31 = 0215 8705
- 32 = 0279 8114
- 33 = 0201 2507
- 34 = 307 4605 0017
- 35 = 307 4605 0018
- 36 = 0201 2504
- 37 = 0500 5401
- 38 = 307 4613 0001
- 39 = 6230 0020
- 40 = 6230 0089
- 41 = 6100 2812
- 42 = 0173 4329
- 43 = 7137 0041
- 44 = 0201 2504
- 45 = 0209 3404
- 46 = 307 4607 3300
- 47 = 307 4607 0008

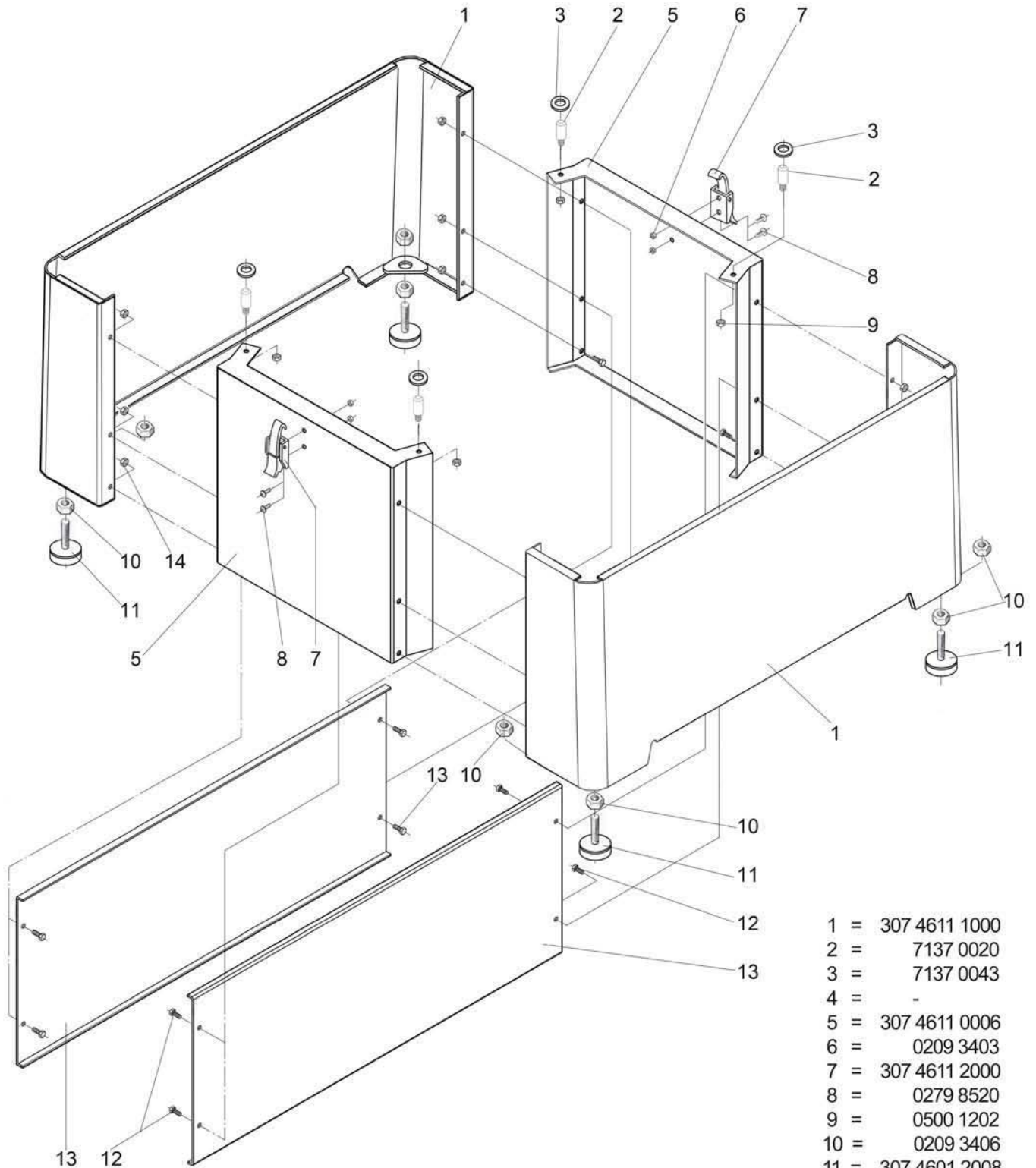
3,4,7-9,12,13,15 = 71370071
48 - 49 = 62300111

! Bildliche Darstellung unverbindlich !
! graphic representation not binding !



- 1 = 0279 8520
- 2 = 307 4603 1002
- 3 = 307 4603 1001
- 4 = 0500 5401
- 5 = 0201 2504
- 6 = 307 4603 0004
- 7 = 0209 1236
- 8 = 307 4603 0004
- 9 = 307 4603 2001
- 10 = 307 4603 2002
- 11 = M 6
- 12 = M 5

! Bildliche Darstellung unverbindlich !
! graphic representation not binding !



- 1 = 307 4611 1000
- 2 = 7137 0020
- 3 = 7137 0043
- 4 = -
- 5 = 307 4611 0006
- 6 = 0209 3403
- 7 = 307 4611 2000
- 8 = 0279 8520
- 9 = 0500 1202
- 10 = 0209 3406
- 11 = 307 4601 2008
- 12 = 0209 3346
- 13 = 307 4611 0003
- 14 = 0500 7102

hms 2600 ci



update:03.03.2016

| Skizze | Art.Nr. | Benennung | description |
|---------------|----------------|---------------------------------|--------------------------------|
| o. Abb. | 7137 0042 | Verschlussglied | locking link |
| o. Abb. | 7137 0038 | Not-Aus-Blende | emergency-stop cover |
| o. Abb. | 7137 0040 | Kondensator 40@F 450V mit Kabel | capacitor 40@F 450V with cable |
| o. Abb. | 7137 0069 | Kleinschütz 240V | small contactor |